

CTE B-LIFT 18 HV

↑ 18 m

→ 12,5 m

👤👤 300 kg

The ideal solution providing ease of use and high productivity.

Compact, versatile, equipped with state-of-the-art electronic control systems.



CTE B-LIFT 18 HV

CTE B-LIFT 18 is compact and versatile, and equipped with latest generation electronic control systems



S³ EVO



Stability
at height



CTE
connect



Compactness



TECHNICAL DATA

- » Telescopic boom (3 elements: main boom + 2 telescopic extension)
- » +/- 320° Turret rotation
- » Smooth, simultaneous proportional controls with acceleration and deceleration ramps
- » Engine start/stop control from the basket and the ground
- » Automatic engine rpm management
- » Anti-slip aluminum deck
- » Aluminum basket 1400x700x1100 mm
- » 90° + 90° hydraulic basket rotation
- » Automatic basket levelling system
- » 4 stabilisers with ground pressure sensors: front variable jacking outriggers and rear straight down stabilizers
- » Variable jacking system with S3 Smart Stability System EVO
- » CAN BUS electronic management system
- » New control panels with intuitive and state of the art human-machine interface that shows allowable maneuvers with LED
- » Graphic display with “real time“ basket position and current weight load
- » Double Joysticks
- » Emergency recovery controls from the ground
- » Diagnostic display on board
- » Hydraulic system operated by vehicle's PTO
- » Buzzer indicating PTO engaged
- » Hour meter
- » 230 V AC plug in the basket
- » EN 280:2015 CE certified
- » Standard boom colours blue (RAL 5017) and white (RAL 9003)



S3 EVO
SMART STABILITY SYSTEM
EVO 2014



watch the video

STRENX™
PERFORMANCE STEEL

IPAF



DIAGNOSTIC TOOL INTEGRATED IN THE CONTROL PANEL



SSAB STREX STEEL

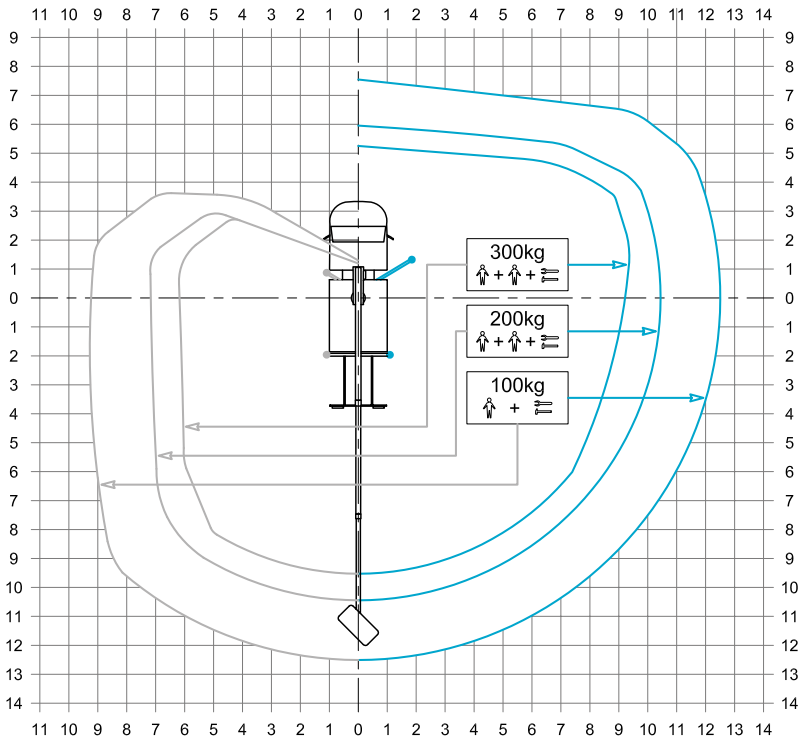


EASY TO USE WITH INTUITIVE CONTROLS

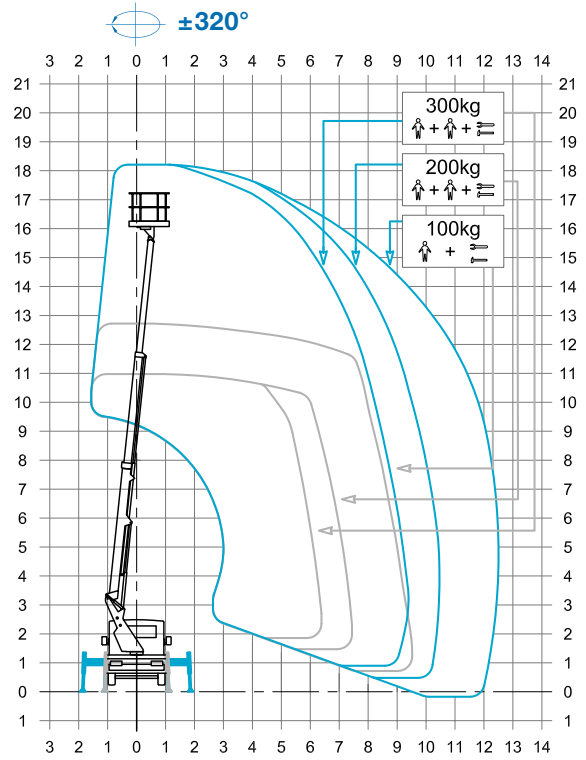


300 KG BASKET PAYLOAD

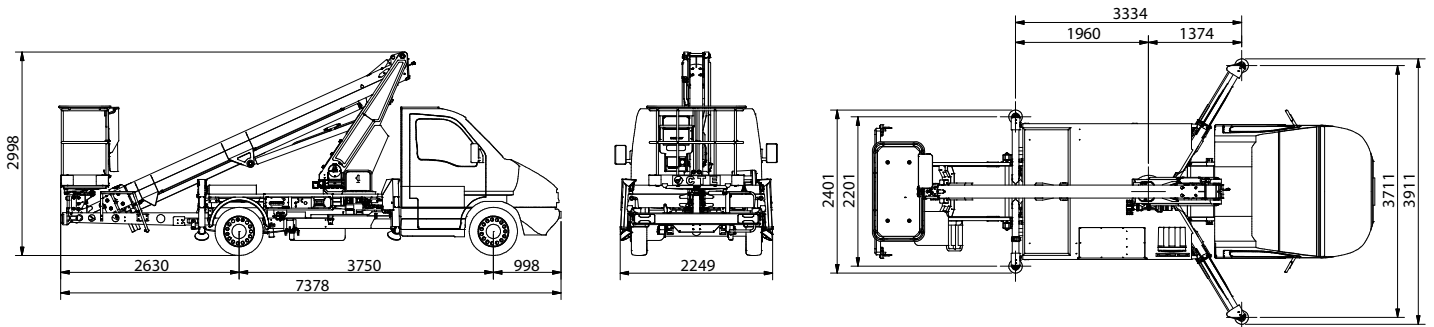
OUTRIGGER FOOTPRINT



WORKING ENVELOPE



DIMENSIONS



18* m **1,4 x 0,7 x 1,1 m**

16* m **12,5* m**

300 kg** **GVW min 3.500 kg**

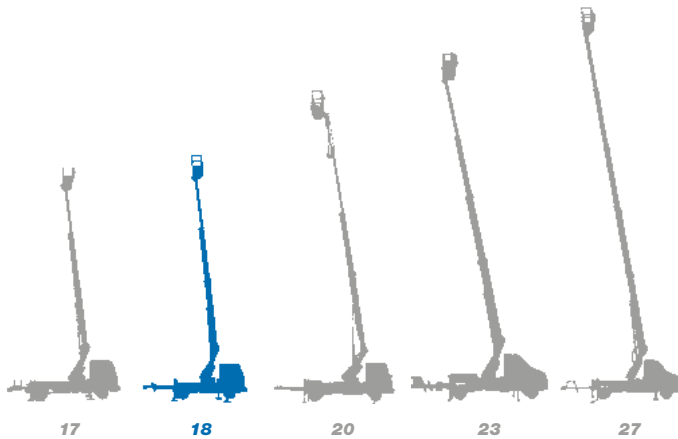
VTR 300 kg**

* outreach and height max values and repeatability can change within $\pm 3\%$ due to manufacturing variation and working condition.
 ** with load cell option.

Product specifications are subject to change without notice or obligation. Technical features and drawings in this brochure are for illustrative purposes only _B-LIFT 18 HV - ed. 07/21

CTE B-LIFT

Telescopic truck-mounted range fro 17 to 27 m



- ★ Compactness and easiness in use
- ★ Excellent boom rigidity during operation
- ★ Intuitive controls
- ★ Clean top boom
- ★ Easy maintenance
- ★ Versatility of configurations



We are CTE, one of the largest european groups in the field of lifting people and handling of material.



After sales assistance



Service spare parts



Scheduled maintenance



On-site assistance



Authorized workshops

Efficient services, innovative technical solutions, timely assistance, professional advice and training: 'Work Becomes Easy' is all this. A style, a philosophy at the heart of which are our customers, their safety, their quality of life. For this reason there is a group in CTE united by ideas, motivation and passion to simplify the work of companies active in the lifting of people and objects.



CTE s.p.a.
Via Caproni, 7
38068 Rovereto (TN)

Factory
Loc. Terramatta, 5
37010 Rivoli Veronese (VR)

Tel. +39 0464 48.50.50
info@ctelift.com
www.ctelift.com



UNI EN ISO 9001:2008 IT 61659