

**D-SERIES CRAWLER EXCAVATORS
CX300D | CX350D | CX370D**

CASE

CONSTRUCTION



**TIER 4
FINAL
EU STAGE IV**

**IT'S TIME
FOR MORE**

www.casece.com

**EXPERTS FOR THE REAL WORLD
SINCE 1842**

HERITAGE

A TRADITION OF INDUSTRY FIRSTS



EXPERTS FOR THE REAL WORLD SINCE 1842

1842 Case is founded.

1869 The first Case portable steam engine - road construction is born.

1957 The first factory - integrated loader/backhoe in the world: a Case industry first.

1969 Case begins skid steer loader production.

1992 Sumitomo becomes supplier to Case Corporation distributing excavators ranging from 7 to 80 tons.

1998 Global Alliance signed between Case Corporation and Sumitomo.

2001 Case introduces the first of its CX excavators, powerful new "thinking machines," designed to enhance productivity through onboard intelligence features.

2007 CX210B is awarded the «Good Design Award» by the design Academy of Japan.

2008 CX210B wins the 18th «Energy Conservation Award» from the

Agency for Natural Resources and Energy of the Japanese Ministry of Economy.

2011 Case becomes the first construction equipment manufacturer to offer both selective catalytic reduction and cooled exhaust gas recirculation as solutions to meet stringent emissions standards.

2015 Case launches the new "D series" Tier 4 final/ EU Stage IV Crawler Excavators.

CRAWLER EXCAVATORS D-NA

BUILT TO LAST AND CONTROL



HIGH RELIABILITY

Improved D-esign for D-urable performances

- The boom and arm have been re-designed according to the latest stress analysis criteria, to reduce stress points while maintaining weight optimization to ensure the best lifting performance.
- New high strength casting parts with joined hinge flanges reduce stress and increase durability.
- The undercarriage has been re-designed and re-shaped to facilitate the welding process, enhancing the reliability of the fabricated structures.
- The One-Side-Slope lower frame design reduces the time needed to clean the undercarriage.
- The thickness of the structural plates has been increased, especially in those parts where a high level of protection is required for components.

HIGH QUALITY

Accurate, simple and robust design for high durability

- True to Case's enviable reputation for reliability and durability, the D-series delivers leading design solutions and manufacturing quality.
- Wide choice of arm solutions, including the Heavy-Duty arm with reinforcement plate and bars on the bottom side.
- Standard Heavy-Duty boom and arm on the CX370D.



HIGH PRECISION AND CONTROLLABILITY

Smooth control with the CASE Intelligent Hydraulic System

The proven Case Intelligent Hydraulic System (CIHS) delivers energy savings in all cycle time phases (digging, boom up and swing, dumping).

D-SERIES CRAWLER EXCAVATORS



HIGH VERSATILITY

Working modes easily adapt to every work load

The familiar **working mode systems** offers 3 power modes to match different customer needs.

- A** MODE: for grading, lifting and precision work.
- H** MODE: the best balance between productivity and fuel economy.
- SP** MODE: extra speed and power for the most demanding jobs that require maximum productivity.

- **Auto Power boost** automatically increases hydraulic pressure according to the operation's demands.

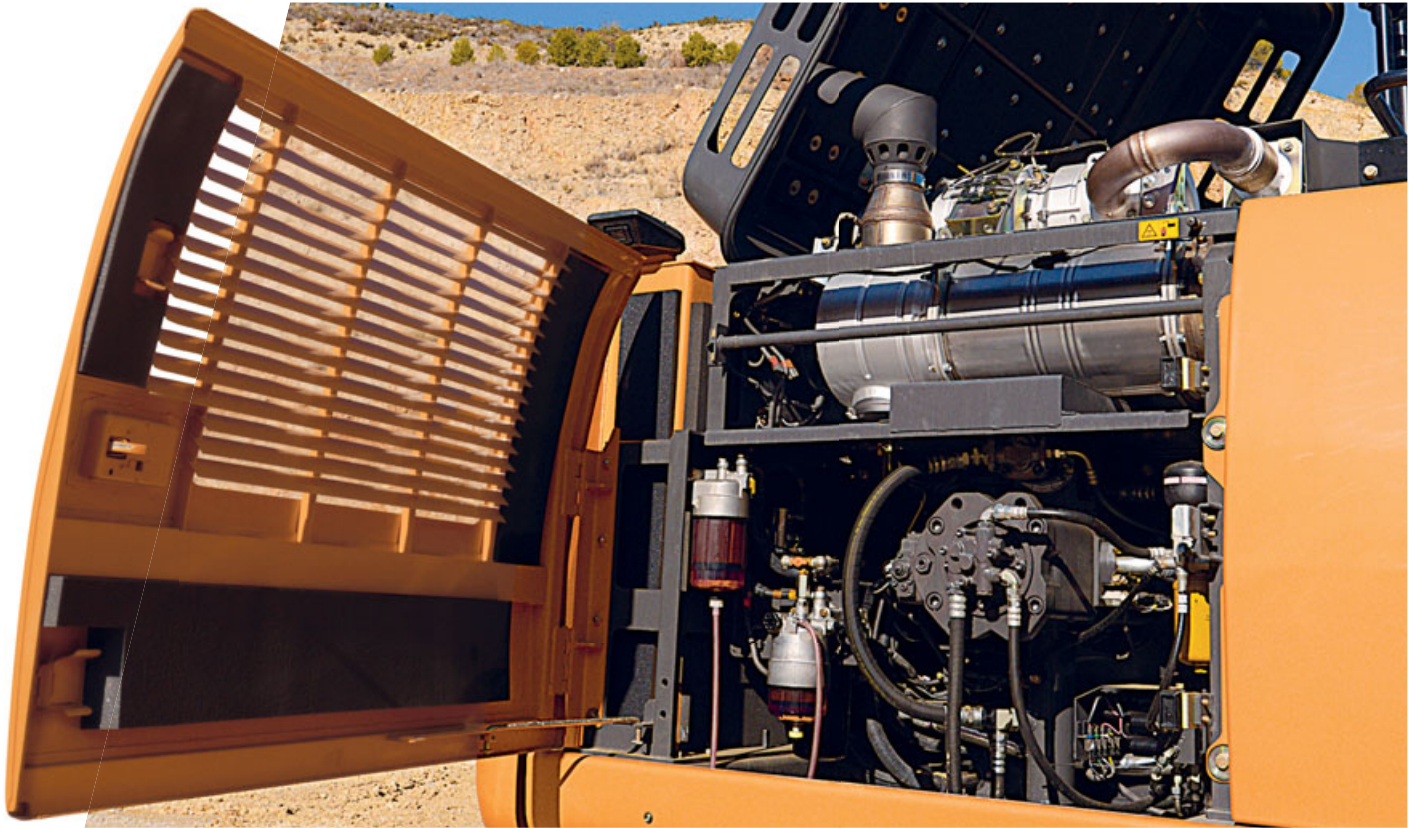


FAST CYCLES

High Performance Hydraulics control

- The new electrically controlled pumps and a bigger main control valve deliver faster cycle times.
- Oil flow can be adjusted according to working needs, or increased smoothly while starting travel and boom down.
- As a result, the machine responsiveness to operation load is multiplied, resulting in cycle times up to **12% faster** than the previous generation.

PRODUCTIVITY BIGGER PERFORMANCE



HIGH EFFICIENCY

Great performances with low fuel consumption

CASE advanced energy management provides solid fuel saving opportunities and lower emissions and helps to prolong the life of the machine. It consists of **5** Energy Saving controls:

- Torque control decreases main pump loads to prevent a drop in engine rpm, with improved sensitivity to control/monitor main pump loads.
- Boom Economy Control (BEC) increased fuel efficiency during boom lower and swing operations, like dump unloading.
- Swing Relief Control (SWC) carefully manages the hydraulic power distribution in slewing operations to deliver the most efficient flow and pressure.
- Spool Stroke Control (SSC) creates an automatic pressure adjustment during digging and leveling operations.
- Idle functions: the Auto Idle function lowers engine RPM after 5 seconds of lever inactivity whatever the throttle position, while the Idle Shutdown function shuts the engine down after a pre-setted time of inactivity. Both are manually switchable.



CLEAN AND MAINTENANCE-FREE POWER

EU STAGE IV/TIER4 FINAL compliant Case engines

- Maintenance-free SCR and DOC-only solution.
- No Diesel Particulate Filter (DPF) or regeneration are required as no solid particles remain trapped into the system, resulting in maximum uptime and lower operating costs.
- The high engine efficiency of the latest generation, electronically controlled, high pressure common rail with multi-injection engine ensures great performance and low fuel consumption.
- Case adds a Variable Geometry Turbocharger to ensure a fast transient response of the engine while minimizing fluid consumption”.
- The system is also very economical in its use of AdBlue, which is just 2.5%- 3% of fuel consumption. The large AdBlue tank only needs to be refilled every 10 fuel refills, so that no time is wasted.

D-SERIES CRAWLER EXCAVATORS



COMFORTABLE AND SAFE CAB

Ergonomic seat design and spacious cab

- Superior cab structure with ample legroom for the operator.
- Fully adjustable workstation.
- New ergonomically designed highback seat with air suspension for excellent comfort.
- Optional seat tilting adjustment and seat heater
- Top class features include 178 mm colour LED Monitor, bluetooth tuner and Radio, spacious storage compartment, 12v accessory plug, clipboard holder, mobile phone holder, warm and cool box, fuse box service connection, storage tray and ergonomic arm rest.



SMOOTH RIDE, QUIET WORK ENVIRONMENT

Soundproof
pressurised cab

The cushioning system lowers noise and vibration levels for the operator's ultimate comfort.



COMFORT RULES FIRST CLASS CAB AND SEAT



D-SERIES CRAWLER EXCAVATORS



SAFE OPERATION

ROPS Cab and FOPS level II

A safe working environment for the operator:

- Reinforced structure of the cab compliant with ROPS/FOPS requirements.
- Standard head protection approved to FOPS Level 2.
- Wide offering of optional front guards.
- Optional factory fitted travel alarm for greater safety on the jobsite around the machine.



OUTSTANDING VISIBILITY

Safety-minded cab structure

Cab designed to create a perceptibly safe and secure working environment:

- Ample glazed surface.
- Rear and side view camera.
- Unique 178 mm LED monitor with continuous camera view.
- Efficient use of space with grouped engine, cooling and after-treatment systems to provide excellent rear visibility.
- Optional LED lighting package provides a deeper and wider visibility coverage of the area around the machine when working after dark.



SAFETY AND MAINTENANCE

WORK SAFELY IN ALL CONDITIONS



SAFE ACCESS TO UPPERCARRIAGE

Solid and robust platform and handrails

- Wide, robust and comfortable steps or safe access to the top of the hood.
- Solid handrail for protection on the top of the hood.
- Non slip-plates and top hood cover supported by 2 gas pistons and secured by 2 mechanical stops when open.
- A wide platform (up to 60 cm) on top of the engine compartment to work safely on the engine box.



EASY MAINTENANCE

Case stays «grounded»

- All filters and regular fill points are grouped for easy access.
- Engine oil change intervals set at 500 hours.
- Radiator and cooler cores mounted side by side for easy access for cleaning and more efficient cooling.
- Standard 100 l/min refueling pump with automatic cut off reduces downtime for regular fills.
- Optional hydraulic and engine oil sampling port accessible at ground level for easy oil check.
- Battery Shutdown Switch for safe maintenance on the electrical system.
- All the D-series crawler excavators feature the Extended Maintenance System (EMS) bushings, providing 1,000 hour greasing intervals on all pins except the attachment linkage.



MAIN REASONS TO CHOOSE THE D-SERIES



HIGH EFFICIENCY

- Energy saving system to take advantage of all fuel saving opportunities: up to 8% more fuel efficiency
- High levels of AdBlue autonomy with larger AdBlue tank and low additive consumption



HIGH PRECISION AND CONTROLLABILITY

CASE Intelligent Hydraulic System (CIHS)
Synonymous with high performance
smooth control.



HIGH RELIABILITY

Reliability and durability thanks
to the new redesigned arm,
boom and undercarriage.



FAST CYCLES

- New electronically controlled hydraulic pumps
- New larger main valve





OUTSTANDING VISIBILITY

- Wide glazed area
- Rear and side view cameras
- Large LED monitor
- Optional LED lighting package



SMOOTH RIDE, QUIET WORK ENVIRONMENT

- Cab with cushioning system
- Low noise and vibration



COMFORTABLE AND SAFE CAB

- Extra spacious cab
- Fully adjustable workstation
- New high back seat



CLEAN AND MAINTENANCE-FREE POWER

- EU Stage IV/Tier4 final compliant
- No DPF
- DOC and SCR-only maintenance-free components



SAFE OPERATION AND MAINTENANCE

- ROPS cab and FOPS level II
- Standard extended handrails and guardrails
- Optional factory fitted travel alarm
- Maintenance points grouped for easy and safe access



HIGH VERSATILITY

- 3 available power modes to match customers needs (A, H, SP)
- Auto Power boost job-sensing hydraulic pressure increase.





THE SCIENCE BIT

The Case SiteWatch telematics system uses a high-tech control unit mounted on each machine to collate information from that machine and from GPS satellites. This data is then sent wirelessly through the mobile communication networks to the Case Telematics Web Portal.



SiteWatch: centralised fleet control benefits at your fingertips

Measure your true asset availability and optimise it

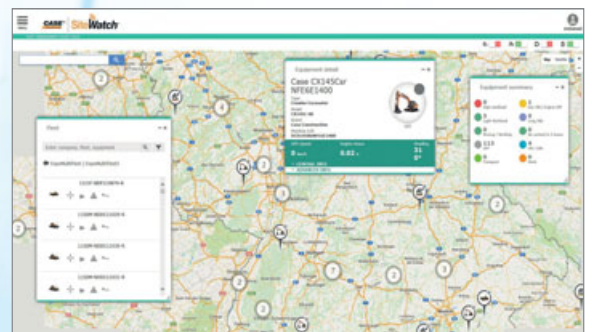
- Eliminate the “phantom fleet”: SiteWatch allows to identify spare units or under loaded machines on each site.
- Become able to reallocate units where they are more needed.
- Forward Maintenance Planning is easier since the actualised working hours are always available.
- Extend the benefits of SiteWatch to the rest of your fleet: SiteWatch can be installed on the units of other brands as well.

Challenge your Total Cost of Ownership!

- Being able to compare the fuel usage of different machine types will allow you choose the right equipment.
- Save on transport costs with planned and grouped maintenance tasks.
- Peace of mind, optimised uptime and lower repair costs: with preventive maintenance you can for example be alerted if the engine needs to be serviced and avoid a disruptive breakdown.
- Be able to compare your asset Return On Investment on different sites.
- Your equipment is used only during working hours. You can set up alerts so that you know if it is in use during the weekend or at night.
- Integrate with the programmed maintenance package, so that you can be sure every machine is at the right place at the right time.

More Safety, Lower Insurance Premium

- Keep thieves away: dissuade them from attacking your asset because it is geo-localised. SiteWatch is hidden so that thieves can't find it quickly.
- Your fleet is used only where you decide. You can define a virtual fence and receive an email when a machine exits that perimeter.



STANDARD AND OPTIONS

STANDARD EQUIPMENT

ENGINE

Isuzu 6-cylinder turbo-charged diesel
Tier 4 Final/EU stage IV Certified
Selective Catalytic Reduction – SCR
Diesel Oxidation Catalyst – DOC
Cooled Exhaust Gas Recirculation – CEGR
VGT turbocharger
Electronic fuel injection
High pressure common rail system
Neutral safety start
Auto-engine warm up, emergency stop
Glow-plug pre-heat
Engine Protection Feature (EPF)
Dual-stage fuel filtration
Dual element air filter
Remote oil filter
Green plug oil drain
500-hour engine oil change interval
24-Volt system
Battery disconnect switch
High ambient temperature cooling package
External Fuel and AdBlue gauges
Fuel cooler
Fuel filter restriction indicator
Fuel shut-off valve
Idle start
Radiator, oil cooler, intercooler – protective Screen
Refueling Pump

FUEL ECONOMY SYSTEMS

Engine Idle/Fuel Economy System:
Auto-idle
One-touch idle
Auto-idle shut-down
Torque control
Boom Economy Control (BEC)
Swing Relief Control (SWC)
Spool Stroke Control (SSC)

HYDRAULICS

Electronically controlled hydraulic pumps
Auto power boost
Auto travel speed change
Selectable work modes
Overload warning device
ISO pattern controls
Pre-set auxiliary pump settings
Switch controlled auxiliary selection
Auxiliary valve
Hydraulic filter restriction indicator
Oil cooler
5,000 hour hydraulic oil change interval
1,000 hour hydraulic filter change interval

UPPERSTRUCTURE

ISO mirrors
Handrail – RH access
ISO guard rails
Isolation mounted cab (fluid and spring)
Lifting eyes for counterweight
Lockable fuel cap, service doors and toolbox
Rear and side view safety camera

OPERATOR STATION

ROPS protection
FOPS guard OPG level II
Pressurized cab
Tempered safety glass
One-touch lock front window
Sun visor&rain deflector
AC/heat/defrost w/auto climate control
Hot&coolbox, cup holder & ashtray
Interior dome light
Cloth covered air-suspension high-back seat
Sliding seat – 90 mm
Seat-belt
Adjustable armrests

Tilting consoles - 4-position
Low-effort joystick controls
Sliding cockpit 180 mm
Auxiliary select system
Aux-in port for personal electronics
Multifunction LED color monitor (180 mm)
26 selectable languages for monitor
Anti-theft system (start code system)
Rubber floor mat
12-volt electric socket
24-volt cigarette lighter
One-piece right hand window
Internal & external view mirrors
Working lights (boom&upperstructure)
Cab top working lights
Windshield wiper / washer
Clear (Lexan) roof window w/sunshade
Storage compartments
On-board diagnostic system

ATTACHMENTS

Standard boom 6.15 m (CX300D)
Standard boom 6.45m (CX350D)
HD boom 6.45m (CX370D)
Arm 3.2 m (CX300D)
Arm 3.25 (CX350D)
HD arm 3.25 (CX370D)
Auxiliary pipe brackets
Centralized lube bank
Attachment cushion valve

UNDERCARRIAGE

600 mm steel triple grouser shoes
Full overlap turntable bearing tub
Sealed link chain
Lashing points

OPTIONAL EQUIPMENT

HYDRAULICS

Clamshell circuit (CX300D only)
Low-flow circuit, proportional control
Single acting pedal activated hammer circuit
Single acting hammer circuit with electrical proportional control
Pedal activated multifunction (hammer/high flow) circuit
Multifunction (hammer/high flow) circuit with electrical proportional control

ATTACHMENTS

Arm - 2.65/3.7 m (CX300D)
Arm - 2.20/2.60/4.05 m (CX350D)
HD Arm - 2.20/2.60 (CX370D)

Hydraulic quick coupler provision
Safety valves and bucket linkage with hook

OPERATOR STATION

Front cab guard - vertical bars (OPG level 2)
Front cab guard - vertical bars (OPG level 1)
Front mesh screen
Travel alarm
AM/FM CD/radio with antenna and 2-speakers
LED working lights
SIDE VIEW CAMERA with LED lights (right and left)

UNDERCARRIAGE

700 mm steel triple grouser shoes (CX350D)
800 mm steel triple grouser shoes (CX300D LC, CX350D, CX370D)
900 mm steel triple grouser shoes (CX350D LC)

TELEMATICS

Three (3) year SiteWatch “Advanced” subscription with remote monitoring and one user’s licence

CX D-SERIES

CX300D

ENGINE

Model _____ ISUZU AQ-6HK1X
 Type _____ Water-cooled, 4-cycle diesel, 6-cylinder in line, High pressure common rail system (electric control), Turbocharger with air cooled intercooler, SCR system.
 Number of cylinders / Displacement _____ 6 / 7,79 l
 Bore & stroke _____ 115 mm x 125 mm
Rated flywheel horse power
 SAE J1349, ISO 9249 _____ 154 kW / 206.5 hp at 1800 min⁻¹
 ISO 14396 _____ 161 kW / 216 hp at 1800 min⁻¹
Maximum torque
 SAE J 1349, ISO 9249 _____ 849 Nm at 1500 min⁻¹
 ISO 14396 _____ 880 Nm at 1500 min⁻¹

HYDRAULIC SYSTEM

Main pumps _____ 2 variable displacement axial piston pumps with regulating system
 Max. oil flow _____ 2 x 243 liter/min at 1800 min⁻¹
Working circuit pressure
 Boom/Arm/Bucket _____ 34.3 MPa - 37.3 MPa with auto power boost
 Swing circuit _____ 30.4 MPa
 Travel circuit _____ 34.3 MPa
 Pilot pump _____ 27 liter/min
 Working circuit pressure _____ 3.9 MPa
Boom Cylinders
 Bore _____ 140 mm
 Stroke _____ 1369 mm
Arm Cylinder
 Bore _____ 150 mm
 Stroke _____ 1650 mm
Bucket Cylinder
 Bore _____ 135 mm
 Stroke _____ 1104 mm

SWING

Swing Motor _____ Fixed displacement axial piston motor
 Maximum swing speed _____ 10.0 min⁻¹
 Swing torque _____ 92,400 Nm

PERFORMANCE DATA CX300D

		Arm 3.2 m	Arm 2.65 m	Arm 3.7 m
Boom length	mm	6150	6150	6150
Bucket radius	mm	1570	1570	1570
Bucket wrist action		176°	176°	176°
A Maximum reach at GRP	mm	10490	10030	10980
B Maximum reach	mm	10670	10220	11160
C Max. digging depth	mm	7100	6570	7580
D Max. digging height	mm	10050	9930	10390
E Max. dumping height	mm	7080	6930 </td <td>7390</td>	7390
F Min. swing radius	mm	4030	3980	4080

DIGGING FORCE (ISO 6015)

		Arm 3.2 m	Arm 2.65 m	Arm 3.7 m
Arm digging force	kN	128.4	147.0	114.3
with Auto power boost	kN	139.6	159.9	124.3
Bucket digging force	kN	175.0	175.0	175.0
with Auto power boost	kN	190.3	190.3	190.3

FILTERS

Suction filter _____ 105 µm
 Return filter _____ 6 µm
 Pilot line filter _____ 8 µm

ELECTRICAL SYSTEM

Voltage _____ 24 V
 Alternator _____ 50 Amp
 Starter _____ 24 V 5.0 kW
 Battery _____ 2X12V 128 Ah/5 HR

UNDERCARRIAGE

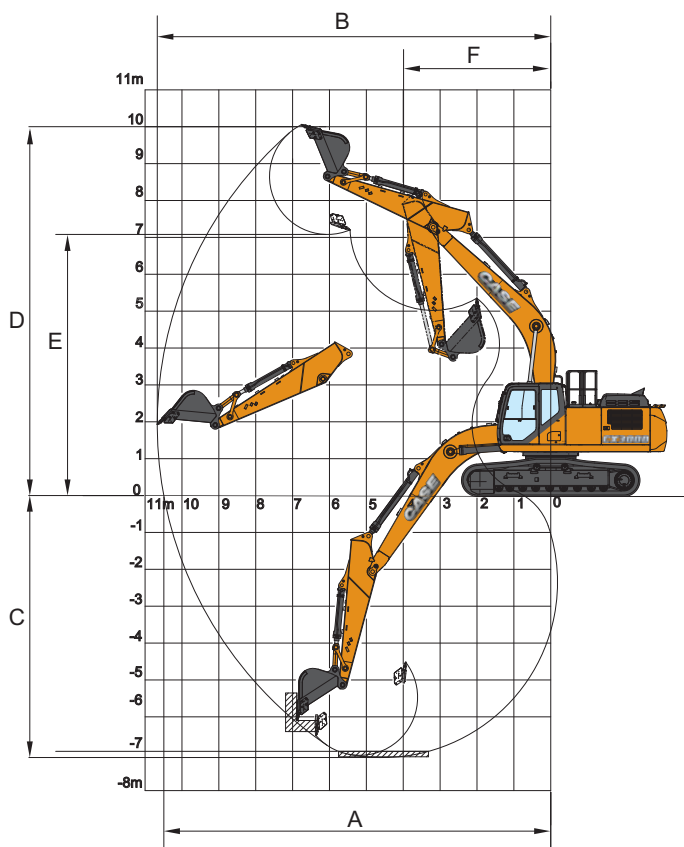
Travel motor _____ Variable displacement axial piston motor
 High travel speed (Automatic travel speed shifting) _____ 5.4 km/h
 Low travel speed _____ 3.2 km/h
 Drawbar pull _____ 233 KN
 Number of carrier rollers (each side) _____ 2
 Number of track rollers (each side) _____ 9
 Number of shoes (each side) _____ 50
 Type of shoe _____ Triple grouser shoe
 Grade ability _____ 70 % (35°)

SOUND LEVEL

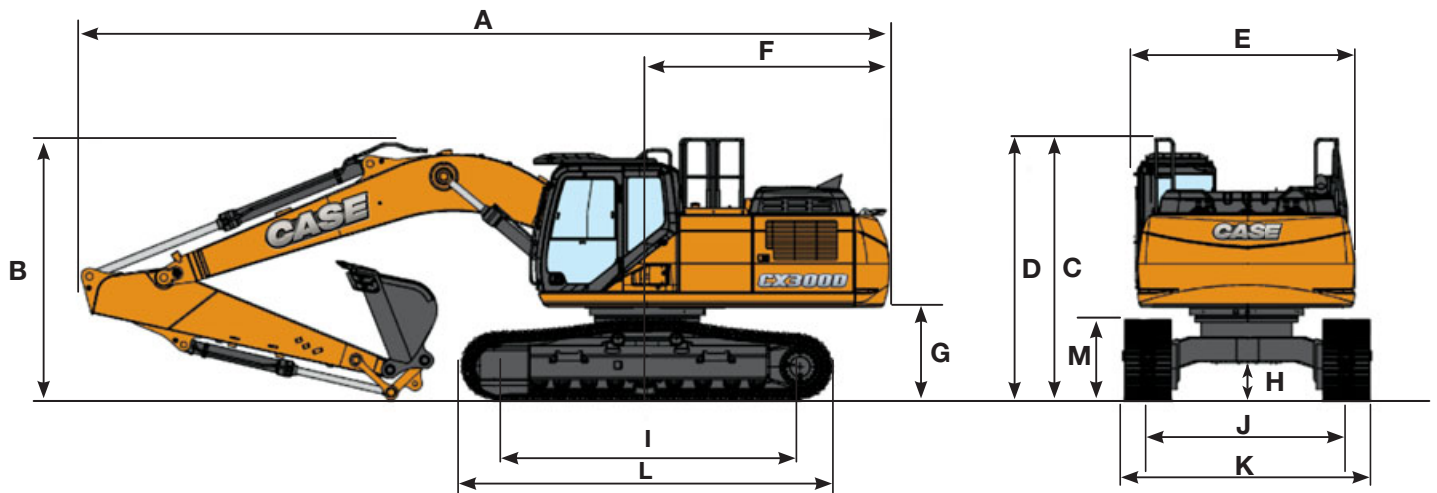
External guaranteed sound level
 (EU Directive 2000/14/EC) _____ LwA 102 dB(A)
 Operator cab sound pressure level (ISO 6396) _____ LpA 70 dB(A)

CIRCUIT AND COMPONENT CAPACITIES

Fuel tank _____ 457 l
 Hydraulic system _____ 300 l
 Hydraulic tank _____ 147 l
 Adblue tank _____ 120 l



GENERAL DIMENSIONS



LC/NLC		Arm 3.2 m	Arm 2.65 m	Arm 3.7 m
	Overall length (without attachment)	mm	5580	5580
A	Overall length (with attachment)	mm	10510	10520
B	Overall height (to top of boom)	mm	3350	3340
C	Cab height	mm	3210	3210
D	Overall height (to top of guardrail)	mm	3420	3420
E	Upper structure overall width	mm	2890	2890
F	Swing (rear end radius)	mm	3160	3160
G	Clearance height under upper structure	mm	1190	1190
H	Minimum ground clearance	mm	460	460
I	Wheel base (Center to center of wheels)	mm	3980	3980
L	Crawler overall length	mm	4850	4850
M	Crawler tracks height	mm	1040	1040
LC				
		Arm 3.2 m	Arm 2.65 m	Arm 3.7 m
J	Track gauge	mm	2600	2600
K	Undercarriage overall width (with 600 mm shoes)	mm	3200	3200
NLC				
		Arm 3.2 m	Arm 2.65 m	Arm 3.7 m
J	Track gauge	mm	2390	2390
K	Undercarriage overall width (with 600 mm shoes)	mm	2990	2990

WEIGHT AND GROUND PRESSURE CX300D

with 3.20 m Arm, 1.1 m³ bucket, 600 mm grouser shoe, operator, lubricant, coolant, full fuel tank and top guard OPG level 2.

CX300D LC	Weight	Ground pressure
	30.000 kg	0.057 MPa
CX300D NLC	Weight	Ground pressure
	29.900 kg	0.057 MPa

Counterweight 5.100 kg

LIFTING CAPACITY

CX300D

REACH	2.0 m		4.0 m		6.0 m		8.0 m		At max reach		m
	Front	Side	Front	Side	Front	Side	Front	Side	Front	Side	

LC UNDERCARRIAGE - Standard arm 3.2 m, 600 mm shoes, max reach 9.10 m

8.0 m									6080*	6080*	6.72
6.0 m							6310*	5410	5690*	5270	8.12
4.0 m			13320*	13320*	9620*	8160	7810	5270	5730*	4480	8.85
2.0 m			15990*	13640	11380*	7610	7560	5050	6130*	4180	9.1
0 m			13740*	12990	11310	7230	7370	4870	6340	4220	8.89
-2.0 m	9910*	9910*	18170*	12940	11150	7090	7310	4830	7080	4690	8.19
-4.0 m	18660*	18660*	14910*	13190	10250*	7210			8430*	6060	6.85

LC UNDERCARRIAGE - Short arm 2.65 m, 600 mm shoes, max reach 8.65 m

8.0 m					8450*	8450*			7930*	7930*	6.1
6.0 m					8930*	8530			7290*	5820	7.61
4.0 m			14840*	14840*	10290*	8090	7790	5270	7210	4880	8.39
2.0 m					11710	7590	7580	5080	6750	4540	8.65
0 m			11770*	11770*	11350	7270	7430	4940	6910	4610	8.43
-2.0 m	10260*	10260*	17430*	13130	11270	7200			7860	5210	7.69
-4.0 m			13510*	13460	9170*	7420			8550*	7050	6.24

LC UNDERCARRIAGE - Long arm 3.7 m, 600 mm shoes, max reach 9.58 m

8.0 m									4870*	4870*	7.37
6.0 m							6530*	5460	4560*	4560*	8.66
4.0 m					8970*	8240	7690*	5280	4570*	4090	9.35
2.0 m			16920*	13850	10850*	7640	7550	5030	4820*	3820	9.58
0 m			14380*	12940	11270	7190	7310	4820	5410*	3850	9.39
-2.0 m	8860*	8860*	18580*	12760	11050	6990	7210	4720	6390	4220	8.73
-4.0 m	15850*	15850*	15920*	12940	10870*	7050			7970*	5260	7.49
-6.0 m									8010*	8010*	4.86

NLC UNDERCARRIAGE - Standard arm 3.2 m, 600 mm shoes, max reach 9.10 m

8.0 m									6080*	6080*	6.72
6.0 m							6310*	4970	5690*	4840	8.12
4.0 m			13320*	13320*	9620*	7480	7790	4840	5730*	4110	8.85
2.0 m			15990*	12240	11380*	6940	7550	4620	6130*	3820	9.1
0 m			13740*	11610	11280	6560	7350	4450	6320	3850	8.89
-2.0 m	9910*	9910*	18170*	11560	11130	6430	7300	4400	7070	4270	8.19
-4.0 m	18660*	18660*	14910*	11810	10250*	6550			8430*	5520	6.85

NLC UNDERCARRIAGE - Short arm 2.65 m, 600 mm shoes, max reach 8.65 m

8.0 m					8450*	7910			7930*	7690	6.1
6.0 m					8930*	7840			7290*	5350	7.61
4.0 m			14840*	13460	10290*	7410	7770	4830	7200	4480	8.39
2.0 m					11690	6920	7570	4650	6740	4160	8.65
0 m			11770*	11700	11320	6610	7410	4510	6890	4220	8.43
-2.0 m	10260*	10260*	17430*	11750	11240	6540			7840	4750	7.69
-4.0 m			13510*	12070	9170*	6750			8550*	6430	6.24

NLC UNDERCARRIAGE - Long arm 3.7 m, 600 mm shoes, max reach 9.58 m

8.0 m									4870*	4870*	7.37
6.0 m							6530*	5020	4560*	4360	8.66
4.0 m					8970*	7550	7960*	4850	4570*	3740	9.35
2.0 m			16920*	12430	10850*	6970	7530	4600	4820*	3490	9.58
0 m			14380*	11560	11250	6520	7300	4390	5410*	3500	9.39
-2.0 m	8860*	8860*	18580*	11380	11020	6330	7190	4290	6380	3840	8.73
-4.0 m	15850*	15850*	15920*	11560	10870*	6380			7970*	4780	7.49
-6.0 m									8010*	8010*	4.86

* The above loads (kg) are compliant to the ISO standards and refer to the excavator equipped without bucket. The indicated loads are no more than 87% of hydraulic system lift capacity or 75% of static tipping load. Values marked with an asterisk (*) are limited by the hydraulic lifting capacity.

CX300D LC

HEAVY DUTY BUCKET (DIRECT MOUNT)

CAPACITY m ³ (ISO7451 HEAPED)	WIDTH mm	WEIGHT kg	ARM 3.2 m	ARM 2.65 m	ARM 3.7 m
0.85	900	1039	○	○	○
1.11	1100	1143	○	○	○
1.24	1200	1233	○	○	●
1.43	1350	1311	●	●	■
1.63	1500	1460	■	●	■
1.88	1700	1568	×	■	×

HEAVY DUTY SCOOP BUCKET (WITH CASE MULTI-FIT S COUPLER)

CAPACITY m ³ (ISO7451 HEAPED)	WIDTH mm	WEIGHT kg	ARM 3.2 m	ARM 2.65 m	ARM 3.7 m
0.85	900	1027	○	○	○
1.11	1100	1133	●	○	●
1.24	1200	1225	●	●	■
1.43	1350	1305	■	●	×
1.63	1500	1446	×	■	×

ROCK BUCKET (DIRECT MOUNT)

CAPACITY m ³ (ISO7451 HEAPED)	WIDTH mm	WEIGHT kg	ARM 3.2 m	ARM 2.65 m	ARM 3.7 m
0.85	900	1080	○	○	○
1.11	1100	1187	○	○	○
1.24	1200	1274	○	○	●
1.43	1350	1353	●	●	■
1.63	1500	1500	■	●	■

ROCK SCOOP BUCKET (WITH CASE MULTI-FIT S COUPLER)

CAPACITY m ³ (ISO7451 HEAPED)	WIDTH mm	WEIGHT kg	ARM 3.2 m	ARM 2.65 m	ARM 3.7 m
0.85	900	1068	○	○	○
1.11	1100	1177	●	○	●
1.24	1200	1265	●	●	■
1.43	1350	1347	■	■	×
1.63	1500	1486	×	■	×

CX300D NLC

HEAVY DUTY BUCKET (DIRECT MOUNT)

CAPACITY m ³ (ISO7451 HEAPED)	WIDTH mm	WEIGHT kg	ARM 3.2 m	ARM 2.65 m	ARM 3.7 m
0.85	900	1039	○	○	○
1.11	1100	1143	○	○	●
1.24	1200	1233	●	○	●
1.43	1350	1311	■	●	■
1.63	1500	1460	■	■	×

HEAVY DUTY SCOOP BUCKET (WITH CASE MULTI-FIT S COUPLER)

CAPACITY m ³ (ISO7451 HEAPED)	WIDTH mm	WEIGHT kg	ARM 3.2 m	ARM 2.65 m	ARM 3.7 m
0.85	900	1027	○	○	●
1.11	1100	1133	●	●	■
1.24	1200	1225	■	●	■
1.43	1350	1305	×	■	×

ROCK BUCKET (DIRECT MOUNT)

CAPACITY m ³ (ISO7451 HEAPED)	WIDTH mm	WEIGHT kg	ARM 3.2 m	ARM 2.65 m	ARM 3.7 m
0.85	900	1080	○	○	○
1.11	1100	1187	○	○	●
1.24	1200	1274	●	○	●
1.43	1350	1353	■	●	■
1.63	1500	1500	■	■	×

ROCK SCOOP BUCKET (WITH CASE MULTI-FIT S COUPLER)

CAPACITY m ³ (ISO7451 HEAPED)	WIDTH mm	WEIGHT kg	ARM 3.2 m	ARM 2.65 m	ARM 3.7 m
0.85	900	1068	○	○	●
1.11	1100	1177	●	●	■
1.24	1200	1265	■	●	×
1.43	1350	1347	×	■	×

CX D-SERIES

CX350D - CX370D

ENGINE

Model _____ ISUZU AQ-6HK1X
 Type _____ Water-cooled, 4-cycle diesel, 6-cylinder in line, High pressure common rail system (electric control), Turbocharger with air cooled intercooler, SCR system.
 Number of cylinders / Displacement _____ 6 / 7,79 l
 Bore & stroke _____ 115 mm x 125 mm
Rated flywheel horse power
 SAE J1349, ISO 9249 _____ 200 kW / 268 hp at 1900 min⁻¹
 ISO 14396 _____ 210 kW / 281.6 hp at 1900 min⁻¹
Maximum torque
 SAE J 1349, ISO 9249 _____ 988 N-m at 1500 min⁻¹
 ISO 14396 _____ 1020 N-m at 1500 min⁻¹

HYDRAULIC SYSTEM

Main pumps _____ 2 variable displacement axial piston pumps with regulating system
 Max. oil flow _____ 2 x 300 liter/min at 1900 min⁻¹
Working circuit pressure
 Boom/Arm/Bucket _____ 34.3 MPa - 37.3 MPa with auto power boost
 Swing circuit _____ 30.4 MPa
 Travel circuit _____ 34.3 MPa
 Pilot pump _____ 28.5 liter/min
 Working circuit pressure _____ 3.9 MPa
Boom Cylinders
 Bore _____ 145 mm
 Stroke _____ 1495 mm
Arm Cylinder
 Bore _____ 170 mm
 Stroke _____ 1748 mm
Bucket Cylinder
 Bore _____ 150 mm
 Stroke _____ 1210 mm

SWING

Swing Motor _____ Fixed displacement axial piston motor
 Maximum swing speed _____ 9.7 min⁻¹
 Swing torque _____ 112,000 Nm

PERFORMANCE DATA CX350D/CX370D

		Arm 3.25 m	Arm 2.20 m	Arm 2.60 m	Arm 4.05 m*
Boom length	mm	6450	6450	6450	6450
Bucket radius	mm	1680	1680	1680	1680
Bucket wrist action		173°	173°	173°	173°
A Maximum reach at GRP	mm	10980	9970	10450	11710
B Maximum reach	mm	11170	10180	10650	11900
C Max. digging depth	mm	7340	6300	6720	8140
D Max. digging height	mm	10380	9830	10280	10650
E Max. dumping height	mm	7240	6730	7110	7530
F Min. swing radius	mm	4510	4410	4440	4530

DIGGING FORCE (ISO 6015)

		Arm 3.25 m	Arm 2.20 m	Arm 2.60 m	Arm 4.05 m*
Arm digging force	kN	164.5	225.3	194.7	140.0
with Auto power boost	kN	178.8	245.0	211.7	152.2
Bucket digging force	kN	229.7	229.7	229.7	229.7
with Auto power boost	kN	249.8	249.8	249.8	249.8

*CX350D only

FILTERS

Suction filter _____ 105 µm
 Return filter _____ 6 µm
 Pilot line filter _____ 8 µm

ELECTRICAL SYSTEM

Voltage _____ 24 V
 Alternator _____ 50 Amp
 Starter _____ 24 V 5.0 kW
 Battery _____ 2X12V 128 Ah/5 HR

UNDERCARRIAGE

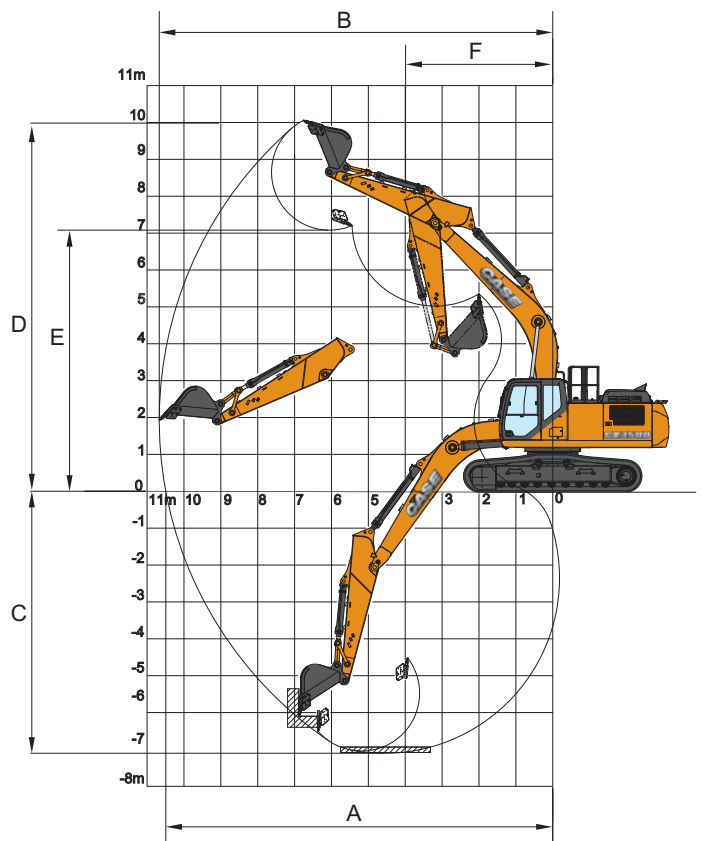
Travel motor _____ Variable displacement axial piston motor
 High travel speed (Automatic travel speed shifting) _____ 5.5 km/h
 Low travel speed _____ 3.3 km/h
 Drawbar pull _____ 273 KN
 Number of carrier rollers (each side) _____ 2
 Number of track rollers (each side) _____ 8
 Number of shoes (each side) _____ 48
 Type of shoe _____ Triple grouser shoe
 Grade ability _____ 70 % (35°)

SOUND LEVEL

External guaranteed sound level
 (EU Directive 2000/14/EC) _____ LwA 105 dB(A)
 Operator cab sound pressure level (ISO 6396) _____ LpA 71 dB(A)

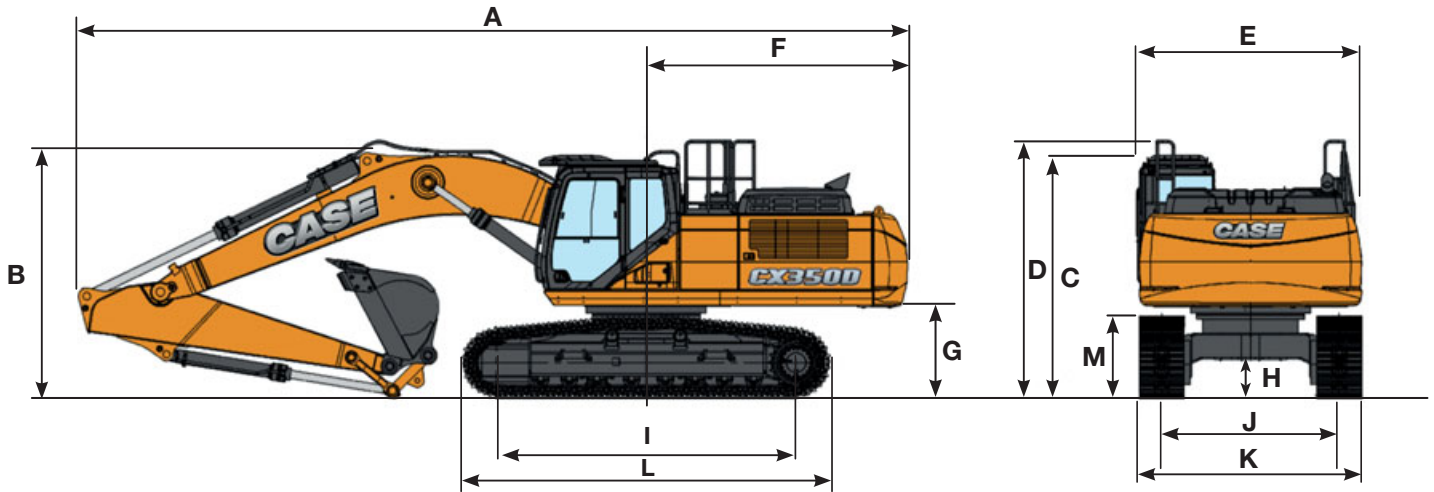
CIRCUIT AND COMPONENT CAPACITIES

Fuel tank _____ 580 l
 Hydraulic system _____ 350 l
 Hydraulic tank _____ 175 l
 Adblue tank _____ 152 l



SPECIFICATIONS

GENERAL DIMENSIONS



LC/NLC		Arm 3.25 m	Arm 2.20 m	Arm 2.60 m	Arm 4.05 m*
Overall length (without attachment)	mm	6010	6010	6010	6010
A Overall length (with attachment)	mm	11170	11250	11220	11190
B Overall height (to top of boom)	mm	3470	3620	3630	3620
C Cab height	mm	3260	3260	3260	3260
D Overall height (to top of guardrail)	mm	3470	3470	3470	3470
E Upper structure overall width	mm	3030	3030	3030	3030
F Swing (rear end radius)	mm	3550	3550	3550	3550
G Clearance height under upper structure	mm	1210	1210	1210	1210
H Minimum ground clearance	mm	470	470	470	470
I Wheel base (Center to center of wheels)	mm	4040	4040	4040	4040
L Crawler overall length	mm	4980	4980	4980	4980
M Crawler tracks height	mm	1090	1090	1090	1090
LC					
J Track gauge	mm	2600	2600	2600	2600
K Undercarriage overall width (with 600 mm shoes)	mm	3200	3200	3200	3200
NLC					
J Track gauge	mm	2390	2390	2390	2390
K Undercarriage overall width (with 600 mm shoes)	mm	2990	2990	2990	2990

*CX350D only

WEIGHT AND GROUND PRESSURE CX350D

with 3.25 m Arm, 1.4 m³ bucket, 600 mm grouser shoe, operator, lubricant, coolant, full fuel tank and top guard OPG level 2.

CX350D LC	Weight	Ground pressure
	35.800 kg	0.067 MPa
CX350D NLC	Weight	Ground pressure
	35.700 kg	0.067 MPa

Counterweight 6.400 kg

WEIGHT AND GROUND PRESSURE CX370D

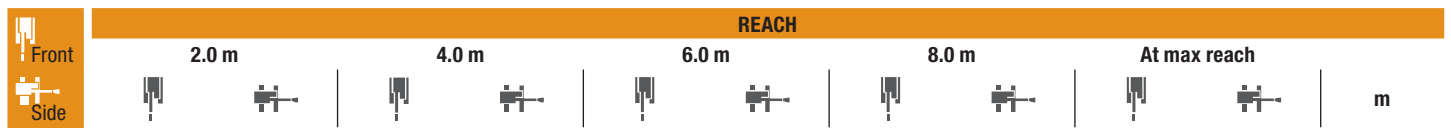
with 3.25 m Arm, 1.4 m³ bucket, 600 mm grouser shoe, operator, lubricant, coolant, full fuel tank and top guard OPG level 2.

CX370D LC	Weight	Ground pressure
	38.000 kg	0.071 MPa
CX370D NLC	Weight	Ground pressure
	37.900 kg	0.071 MPa

Counterweight 7.400 kg

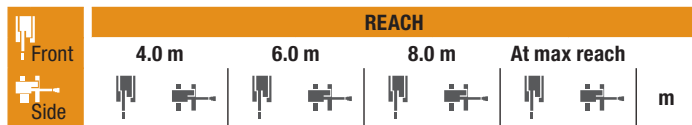
LIFTING CAPACITY

CX350D



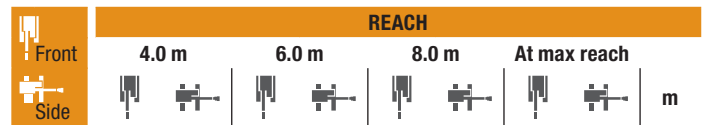
LC UNDERCARRIAGE - Standard arm 3.25 m, 600 mm shoes, max reach 9.49 m

Height	2.0 m	4.0 m	6.0 m	8.0 m	At max reach	Reach (m)
8.0 m						7.37
6.0 m				8680*	6690	8.62
4.0 m		16200*	16200*	11230*	9950	9.29
2.0 m		14670*	14670*	13260*	9200	9.49
0 m		15610*	15610*	13850	8710	9.26
-2.0 m	12600*	12600*	20870*	15670	13670	8.56
-4.0 m	23180*	23180*	17350*	16020	12140*	7.27



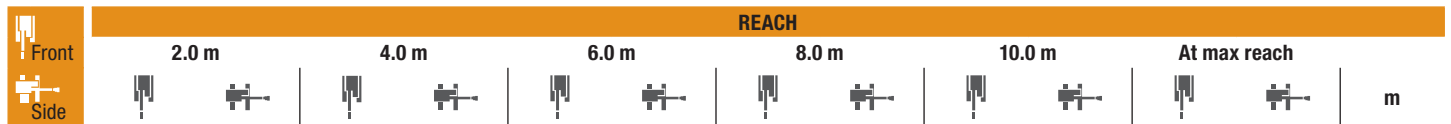
LC UNDERCARRIAGE - Short arm 2.60 m, 600 mm shoes, max reach 8.97 m

Height	4.0 m	6.0 m	8.0 m	At max reach	Reach (m)
8.0 m				9730*	6.68
6.0 m	10230*	10230*	9390*	6480	8.05
4.0 m	11930*	6890	9480	6300	8.76
2.0 m	13710*	8970	9170	6020	8.97
0 m	13700	8580	8950	5820	8.73
-2.0 m	19540*	15690	13640	8520	7.98
-4.0 m	15300*	15300*	10760*	8830	6.57



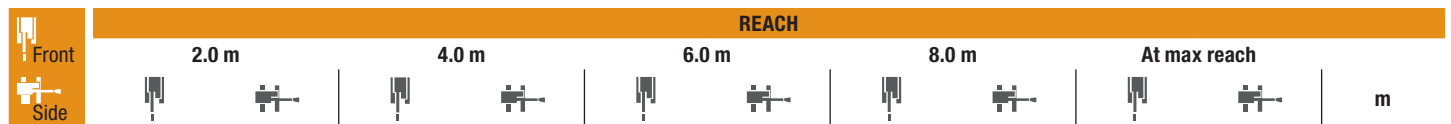
LC UNDERCARRIAGE - S-Short arm 2.20 m, 600 mm shoes, max reach 8.50 m

Height	4.0 m	6.0 m	8.0 m	At max reach	Reach (m)
8.0 m		10650*	10480*		6.04
6.0 m		10870*	10290		7.52
4.0 m		12490*	9620	9480	8.28
2.0 m		14110*	8970	9210	8.5
0 m		13770	8650	9050	8.25
-2.0 m	18570*	15950	13530*	8660	7.45
-4.0 m	13880*	13880*			5.91



LC UNDERCARRIAGE - Long arm 4.05 m, 600 mm shoes, max reach 10.20 m

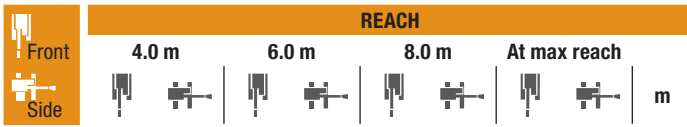
Height	2.0 m	4.0 m	6.0 m	8.0 m	10.0 m	At max reach	Reach (m)
8.0 m				6160*	6160*		8.28
6.0 m				7660*	6760		9.42
4.0 m				9960*	9960*	8430*	10.03
2.0 m		19200*	16750	12200*	9240	9240	10.22
0 m		17890*	15490	13750	8590	8880	10
-2.0 m	11300*	11300*	21500*	15220	13420	8300	9.36
-4.0 m	18830*	18830*	18900*	15430	12980*	8340	8.19
-6.0 m		13350*	13350*	8660*	8660*		6.19



NLC UNDERCARRIAGE - Standard arm 3.25 m, 600 mm shoes, max reach 9.49 m

Height	2.0 m	4.0 m	6.0 m	8.0 m	At max reach	Reach (m)
8.0 m						7.37
6.0 m				8680*	6190	8.62
4.0 m		16200*	16200*	11230*	9170	9.29
2.0 m		14670*	14670*	13260*	8430	9.49
0 m		15610*	14090	13820	7950	9.26
-2.0 m	12600*	12600*	20870*	14090	13640	8.56
-4.0 m	23180*	23180*	17350*	14430	12140*	7.27

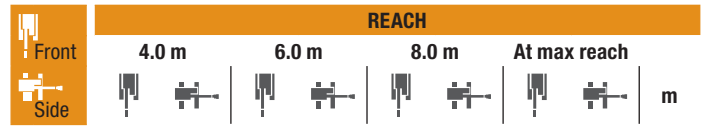
* The above loads (kg) are compliant to the ISO standards and refer to the excavator equipped without bucket. The indicated loads are no more than 87% of hydraulic system lift capacity or 75% of static tipping load. Values marked with an asterisk (*) are limited by the hydraulic lifting capacity.



NLC UNDERCARRIAGE

Short arm 2.60 m, 600 mm shoes, max reach 8.97 m

8.0 m						9730*	8160	6.68
6.0 m		10230*	9580	9390*	5990	8990*	5920	8.05
4.0 m		11930*	8900	9460	5810	8170	5020	8.76
2.0 m		13710*	8210	9150	5530	7710	4680	8.97
0 m		13680	7820	8940	5340	7910	4770	8.73
-2.0 m	19540*	14120	13610	7770		900	5380	7.98
-4.0 m	15300*	14570	10760*	8070		9220*	7220	6.57



NLC UNDERCARRIAGE

S-Short arm 2.20 m, 600 mm shoes, max reach 8.50 m

8.0 m			10650*	9690			10650*	9590	6.04
6.0 m			10870*	9500			10070*	6610	7.52
4.0 m			12490*	8850	9460	5810	8960	5510	8.28
2.0 m			14110*	8210	9190	5570	8400	5120	8.5
0 m			13740	7900	9030	5430	8660	5230	8.25
-2.0 m	18570*	14360	13530*	7910			10040	6010	7.45
-4.0 m	13880*	13880*					9700	8500	5.91



NLC UNDERCARRIAGE - Long arm 4.05 m, 600 mm shoes, max reach 10.20 m

8.0 m						6160*	6160*			4960*	4960*	8.28	
6.0 m						7660*	6250			4710*	4650	9.42	
4.0 m					9960*	9320	8430*	5950	4950*	4070	4750*	10.03	
2.0 m			19200*	15120	12200*	8470	9220	5570	6520	3930	5020*	10.22	
0 m			17890*	13910	13720	7830	8860	5250	5620*	3800	5590*	10	
-2.0 m	11300*	11300*	21500*	13650	13390	7550	8680	5090			6700*	4130	9.36
-4.0 m	18830*	18830*	18990*	13860	12980*	7580	8780	5170			8510	5030	8.19
-6.0 m			13350*	13350*	8660*	8040					8150*	7720	6.19

HEAVY DUTY BUCKET (DIRECT MOUNT)

CAPACITY m ³ (ISO7451 HEAPED)	WIDTH mm	WEIGHT kg	ARM 3.25 m	ARM 2.60 m	ARM 2.20 m	ARM 4.05 m
0.91	900	1213	○	○	○	○
1.19	1100	1338	○	○	○	○
1.33	1200	1439	○	○	○	●
1.54	1350	1533	●	○	○	■
1.75	1500	1666	■	●	●	■
2.03	1700	1829	■	■	■	×
2.17	1800	1894	×	■	■	×

HEAVY DUTY SCOOP BUCKET (WITH CASE MULTI-FIT S COUPLER)

CAPACITY m ³ (ISO7451 HEAPED)	WIDTH mm	WEIGHT kg	ARM 3.25 m	ARM 2.60 m	ARM 2.20 m	ARM 4.05 m
0.91	900	1188	○	○	○	○
1.19	1100	1316	○	○	○	●
1.33	1200	1418	●	○	○	■
1.54	1350	1514	■	●	●	×
1.75	1500	1648	■	■	■	×
2.03	1700	1801	×	×	■	×

ROCK BUCKET (DIRECT MOUNT)

CAPACITY m ³ (ISO7451 HEAPED)	WIDTH mm	WEIGHT kg	ARM 3.25 m	ARM 2.60 m	ARM 2.20 m	ARM 4.05 m
0.91	900	1254	○	○	○	○
1.19	1100	1382	○	○	○	○
1.33	1200	1480	○	○	○	●
1.54	1350	1576	●	○	○	■
1.75	1500	1706	■	●	●	■
2.03	1700	1872	■	■	■	×
2.17	1800	1939	×	■	■	×

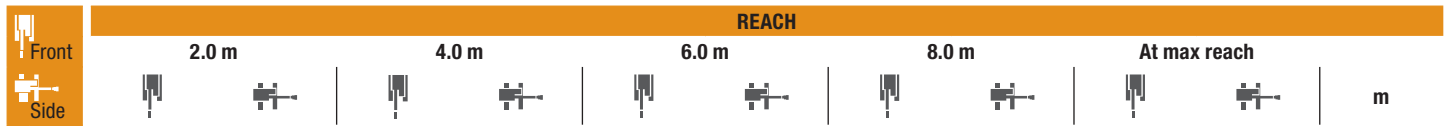
ROCK SCOOP BUCKET (WITH CASE MULTI-FIT S COUPLER)

CAPACITY m ³ (ISO7451 HEAPED)	WIDTH mm	WEIGHT kg	ARM 3.25 m	ARM 2.60 m	ARM 2.20 m	ARM 4.05 m
0.91	900	1188	○	○	○	○
1.19	1100	1316	○	○	○	●
1.33	1200	1418	●	○	○	■
1.54	1350	1514	■	●	●	×
1.75	1500	1648	■	■	■	×
2.03	1700	1801	×	×	■	×

○ Rated material density up to 2 ton/m³ ● Rated material density up to 1.6 ton/m³ ■ Rated material density up to 1.2 ton/m³ × Not applicable

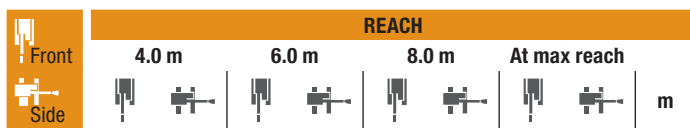
LIFTING CAPACITY

CX370D



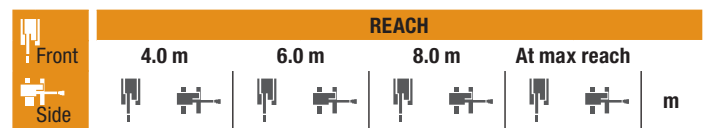
LC UNDERCARRIAGE - Standard arm 3.25 m, 600 mm shoes, max reach 9.49 m

Height	2.0 m	4.0 m	6.0 m	8.0 m	At max reach	Capacity (kg)	Capacity (kg)	Capacity (kg)	Capacity (kg)	Capacity (kg)	
8.0 m									6670*	6670*	7.37
6.0 m						8430*	7070		6270*	6190	8.62
4.0 m			15840*	15840*	10940*	10540	9010*	6800	6320*	5330	9.29
2.0 m			14610*	14610*	12890*	9710	9770	6450	6720*	4990	9.49
0 m			15540*	15540*	14010*	9160	9480	6180	7580*	5050	9.26
-2.0 m	12520*	12520*	20280*	16530	13800*	9000	9390	6100	8560	5600	8.56
-4.0 m	23110*	23110*	16800*	16800*	11740*	9180			8930*	7150	7.27



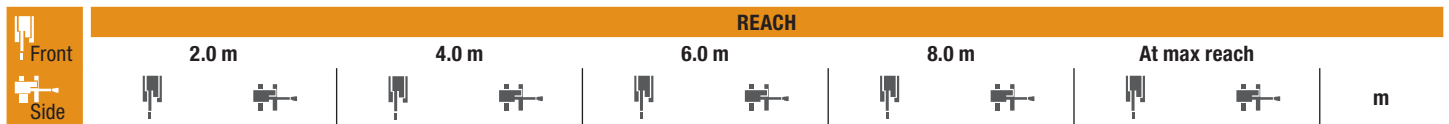
LC UNDERCARRIAGE
Short arm 2.60 m, 600 mm shoes, max reach 8.97 m

Height	4.0 m	6.0 m	8.0 m	At max reach	Capacity (kg)	Capacity (kg)	Capacity (kg)	Capacity (kg)
8.0 m					9680*	9460		6.68
6.0 m		10130*	10130*	9270*	6960	8950*	6890	8.05
4.0 m		11800*	10400	9610*	6770	8740	5860	8.76
2.0 m		13550*	9660	9790	6480	8250	5480	8.97
0 m		14290*	9240	9570	6270	8470	5590	8.73
-2.0 m	19270*	16890	13590*	9180		9550*	6320	7.98
-4.0 m	15060*	15060*	10570*	9490		9060*	8460	6.57



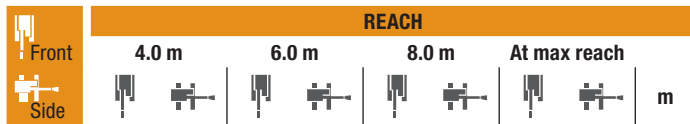
LC UNDERCARRIAGE
S-Short arm 2.20 m, 600 mm shoes, max reach 8.50 m

Height	4.0 m	6.0 m	8.0 m	At max reach	Capacity (kg)	Capacity (kg)	Capacity (kg)	Capacity (kg)
8.0 m					10540*	10540*		6.04
6.0 m		10760*	10760*			9940*	7680	7.52
4.0 m		12360*	10340	10020*	6770	9580	6420	8.28
2.0 m		13930*	9650	9830	6520	8990	5980	8.5
0 m		14390*	9310	9660	6360	9270	6120	8.25
-2.0 m	18300*	17140	13330*	9320		10250*	7040	7.45
-4.0 m	13630*	13630*				9520*	9520*	5.91



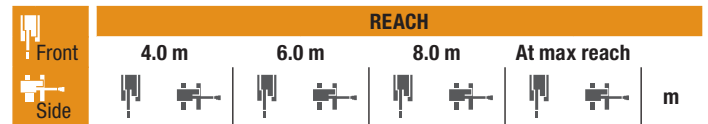
NLC UNDERCARRIAGE - Standard arm 3.25 m, 600 mm shoes, max reach 9.49 m

Height	2.0 m	4.0 m	6.0 m	8.0 m	At max reach	Capacity (kg)	Capacity (kg)	Capacity (kg)	Capacity (kg)		
8.0 m								6670*	6670*	7.37	
6.0 m						8430*	6550	6270*	5720	8.62	
4.0 m			15840*	15840*	10940*	9720	9010*	6280	6320*	4910	9.29
2.0 m			14610*	14610*	12890*	8900	9750	5930	6720*	4590	9.49
0 m			15540*	14860	14010*	8370	9460	5660	7580*	4640	9.26
-2.0 m	12520*	12520*	20280*	14870	13800*	8210	9370	5590	8550	5140	8.56
-4.0 m	23110*	23110*	16800*	15260	11740*	8380			8930*	6560	7.27



NLC UNDERCARRIAGE
Short arm 2.60 m, 600 mm shoes, max reach 8.97 m

Height	4.0 m	6.0 m	8.0 m	At max reach	Capacity (kg)	Capacity (kg)	Capacity (kg)	Capacity (kg)
8.0 m					9680*	8760		6.68
6.0 m		10130*	10130*	9270*	6440	8950*	6370	8.05
4.0 m		11800*	9580	9610*	6250	8730	5400	8.76
2.0 m		13550*	8860	9770	5960	8230	5050	8.97
0 m		14290*	8450	9550	5760	8450	5140	8.73
-2.0 m	19270*	15220	13590*	8390		9550*	5810	7.98
-4.0 m	15060*	15060*	10570*	8690		9060*	7770	6.57



NLC UNDERCARRIAGE
S-Short arm 2.20 m, 600 mm shoes, max reach 8.50 m

Height	4.0 m	6.0 m	8.0 m	At max reach	Capacity (kg)	Capacity (kg)	Capacity (kg)	Capacity (kg)
8.0 m					10540*	10400		6.04
6.0 m		10760*	10210			9940*	7110	7.52
4.0 m		12360*	9520	10020*	6260	9560	5930	8.28
2.0 m		13930*	8850	9810	6000	8970	5510	8.5
0 m		14390*	8510	9640	5850	9250	5640	8.25
-2.0 m	18300*	15470	13330*	8520		10250*	6470	7.45
-4.0 m	13630*	13630*				9520*	9150	5.91

* The above loads (kg) are compliant to the ISO standards and refer to the excavator equipped without bucket. The indicated loads are no more than 87% of hydraulic system lift capacity or 75% of static tipping load. Values marked with an asterisk (*) are limited by the hydraulic lifting capacity.

CX370D LC

HEAVY DUTY BUCKET (DIRECT MOUNT)

CAPACITY m ³ (ISO7451 HEAPED)	WIDTH mm	WEIGHT kg	ARM 3.25 m	ARM 2.60 m	ARM 2.20 m
0.91	900	1213	○	○	○
1.19	1100	1338	○	○	○
1.33	1200	1439	○	○	○
1.54	1350	1533	○	○	○
1.75	1500	1666	●	●	○
2.03	1700	1829	■	●	●
2.17	1800	1894	■	■	●

HEAVY DUTY SCOOP BUCKET (WITH CASE MULTI-FIT S COUPLER)

CAPACITY m ³ (ISO7451 HEAPED)	WIDTH mm	WEIGHT kg	ARM 3.25 m	ARM 2.60 m	ARM 2.20 m
0.91	900	1188	○	○	○
1.19	1100	1316	○	○	○
1.33	1200	1418	○	○	○
1.54	1350	1514	●	●	○
1.75	1500	1648	■	●	●
2.03	1700	1801	×	■	■
2.17	1800	1867	×	■	■

ROCK BUCKET (DIRECT MOUNT)

CAPACITY m ³ (ISO7451 HEAPED)	WIDTH mm	WEIGHT kg	ARM 3.25 m	ARM 2.60 m	ARM 2.20 m
0.91	900	1254	○	○	○
1.19	1100	1382	○	○	○
1.33	1200	1480	○	○	○
1.54	1350	1576	○	○	○
1.75	1500	1706	●	●	○
2.03	1700	1872	■	●	●
2.17	1800	1939	■	■	●

ROCK SCOOP BUCKET (WITH CASE MULTI-FIT S COUPLER)

CAPACITY m ³ (ISO7451 HEAPED)	WIDTH mm	WEIGHT kg	ARM 3.25 m	ARM 2.60 m	ARM 2.20 m
0.91	900	1207	○	○	○
1.19	1100	1338	○	○	○
1.33	1200	1438	●	○	○
1.54	1350	1534	●	●	○
1.75	1500	1665	■	●	●
2.03	1700	1821	×	■	■
2.17	1800	1889	×	■	■

CX370D NLC

HEAVY DUTY BUCKET (DIRECT MOUNT)

CAPACITY m ³ (ISO7451 HEAPED)	WIDTH mm	WEIGHT kg	ARM 3.25 m	ARM 2.60 m	ARM 2.20 m
0.91	900	1213	○	○	○
1.19	1100	1338	○	○	○
1.33	1200	1439	○	○	○
1.54	1350	1533	●	○	○
1.75	1500	1666	■	●	●
2.03	1700	1829	■	■	●
2.17	1800	1894	×	■	■

HEAVY DUTY SCOOP BUCKET (WITH CASE MULTI-FIT S COUPLER)

CAPACITY m ³ (ISO7451 HEAPED)	WIDTH mm	WEIGHT kg	ARM 3.25 m	ARM 2.60 m	ARM 2.20 m
0.91	900	1188	○	○	○
1.19	1100	1316	○	○	○
1.33	1200	1418	●	○	○
1.54	1350	1514	■	●	●
1.75	1500	1648	×	■	●
2.03	1700	1801	×	×	■
2.17	1800	1867	×	×	■

ROCK BUCKET (DIRECT MOUNT)

CAPACITY m ³ (ISO7451 HEAPED)	WIDTH mm	WEIGHT kg	ARM 3.25 m	ARM 2.60 m	ARM 2.20 m
0.91	900	1254	○	○	○
1.19	1100	1382	○	○	○
1.33	1200	1480	○	○	○
1.54	1350	1576	●	○	○
1.75	1500	1706	■	●	●
2.03	1700	1872	■	■	■
2.17	1800	1939	×	■	■

ROCK SCOOP BUCKET (WITH CASE MULTI-FIT S COUPLER)

CAPACITY m ³ (ISO7451 HEAPED)	WIDTH mm	WEIGHT kg	ARM 3.25 m	ARM 2.60 m	ARM 2.20 m
0.91	900	1207	○	○	○
1.19	1100	1338	○	○	○
1.33	1200	1438	●	○	○
1.54	1350	1534	■	●	●
1.75	1500	1665	×	■	●
2.03	1700	1821	×	×	■

www.casece.com

EXPERTS FOR THE REAL WORLD
SINCE 1842

CASE
CONSTRUCTION



Form No. 20140GB - Printed in Italy - MediaCross Firenze - 04/16

**CNH INDUSTRIAL
DEUTSCHLAND GMBH**
Case Baumaschinen
Benzstr. 1-3 - D-74076 Heilbronn
DEUTSCHLAND

CNH INDUSTRIAL FRANCE, S.A.
16-18 Rue des Rochettes
91150 Morigny-Champigny
FRANCE

CNH INDUSTRIAL - UK
First Floor, Barclay Court 2,
Heavens Walk,
Doncaster - DN4 5HZ
UNITED KINGDOM

CNH INDUSTRIAL - SOUTH AFRICA
Waterfall Business Park
Bekker Street, Howick Close
1685 Midrand - Johannesburg
REPUBLIC OF SOUTH AFRICA

**CNH INDUSTRIAL
MAQUINARIA SPAIN, S.A.**
Avda. José Gárate, 11
28823 Coslada (Madrid)
ESPAÑA

CNH INDUSTRIAL ITALIA SPA
Strada di Settimo, 323
10099 San Mauro Torinese (TO)
ITALIA

**CASE CUSTOMER CENTRE
PARIS**
RN 330 - Penchard
77122 - Monthyon
FRANCE

CNH INDUSTRIAL - MIDDLE EAST
DAFZA - Dubai Airport Free Zone
West Wing 4 B, Office 642
P.O. Box 54588, Dubai,
UNITED ARAB EMIRATES

NOTE: Standard and optional fittings can vary according to the demands and specific regulations of each country. The illustrations may include optional rather than standard fittings - consult your Case dealer. Furthermore, CNH Industrial reserves the right to modify machine specifications without incurring any obligation relating to such changes.

Conforms to directive 2006/42/EC

CASE
00800-2273-7373

The call is free from a land line.
Check in advance with your Mobile Operator if you will be charged. Toll free number not available from all calling areas.