

WX155E SR | WX175E SR

WHEELED EXCAVATORS



WX155E SR SPECIFICATIONS

ENGINE

Model _____ Cummins B4.5
 Type _____ Water-cooled, 4-cycle diesel, 4-cylinder in line,
 High pressure common rail system (electric control),
 turbocharger with air cooled intercooler, DOC+DPF+SCR,
 EGR free.
 Emissions _____ Stage V
 Number of cylinders / Displacement (l) _____ 4 / 4.5
 Bore and stroke (mm) _____ 107 x 124
Rated flywheel horse power
 ISO 9249 (kW) _____ 127 at 2200 min⁻¹ (rpm)
 ISO 14396 (kW) _____ 129 at 2200 min⁻¹ (rpm)
Maximum torque
 ISO 14396 (Nm) _____ 780 at 1500 min⁻¹ (rpm)

HYDRAULIC SYSTEM

Main pump _____ Variable displacement piston pump
 Max. oil flow (l/min) _____ 260 at 1800 min⁻¹
Working circuit pressure
 Boom/Arm/Bucket (MPa) _____ 34.3 - 37.3 with auto power boost
 Swing circuit (MPa) _____ 25.2
 Travel circuit (MPa) _____ 39.2
 Pilot circuit (MPa) _____ 3.9
Boom cylinders
 Bore (mm) _____ 105
 Stroke (mm) _____ 1105
Boom positioning (2 piece boom only)
 Bore (mm) _____ 145
 Stroke (mm) _____ 634
Arm cylinder
 Bore (mm) _____ 115
 Stroke (mm) _____ 1138
Bucket cylinder
 Bore (mm) _____ 100
 Stroke (mm) _____ 850

SWING

Swing motor _____ Fixed displacement radial piston motor
 Maximum swing speed (min⁻¹) _____ 9.5
 Swing torque (Nm) _____ 39,100
 Brake system _____ Automatic, spring applied
 hydraulic released

ELECTRICAL SYSTEM

Voltage (V) _____ 24
 Alternator (Amp) _____ 95
 Starter (V - kW) _____ 24 - 4.8
 Battery _____ 2 X 12 V 100 Ah

STEERING

Type _____ Orbitrol steering system
 Minimum turning radius (m) _____ 6.3

AXLES

Type _____ 4 wheel drive with differential, oscillating front axle
 with automatic or operator controlled oscillation lock,
 fixed rear axle
 Brake type _____ Wet multi-disc
 Parking brake type _____ Wet multi-disc integrated
 in transmission

UNDERCARRIAGE

Transmission _____ 2 speed hydrostatic powershift
 Travel motor _____ Variable displacement bent-axis axial
 piston motor
 High travel speed (Automatic travel speed shifting) (km/h) _____ 35
 Low travel speed (km/h) _____ 10
 Creep speed (km/h) _____ 3
 Drawbar pull (kN) _____ 91
 Gradeability _____ 58% (30°)

NOISE

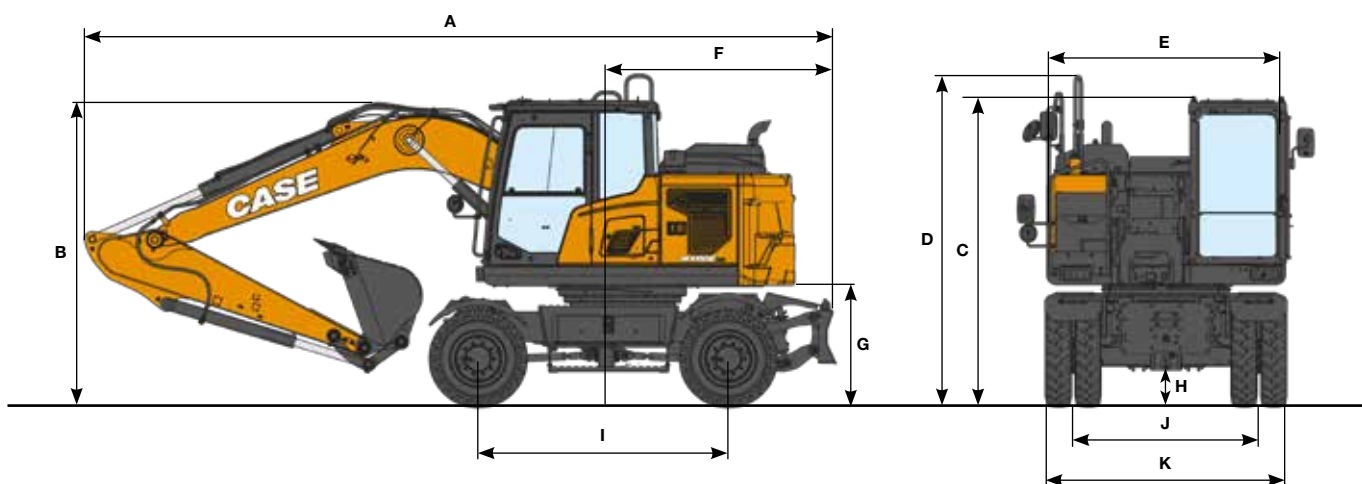
External guaranteed sound level
 (EU Directive 2000/14/EC) _____ LwA 100 dB(A)
 Operator cab sound pressure level (ISO 6396) _____ LpA 71 dB(A)

CIRCUIT AND COMPONENT CAPACITIES

Fuel tank (l) _____ 200
 Hydraulic system (l) _____ 187
 Hydraulic tank (l) _____ 103
 AdBlue tank (l) _____ 48

DIMENSIONS

WX155E SR MONO



GENERAL DIMENSIONS		Arm 2.45 m	Arm 2.00 m	Arm 2.60 m
A Overall length (with attachment) (traveling/transportation)	mm	7210 / 7360	7385 / 7310	7110 / 7380
B Overall height (to top of boom) (traveling/transportation)	mm	3790 / 2990	3270 / 2820	3930 / 3110
C Cab height	mm	3230	3230	3230
D Overall height (to top of handrail)	mm	3450	3450	3450
E Upper structure overall width	mm	2510	2510	2510
F Swing (rear end) radius	mm	1800	1800	1800
G Clearance height under upper structure	mm	1265	1265	1265
H Minimum ground clearance	mm	370	370	370
I Wheel base (center to center of wheels)	mm	2600	2600	2600
J Tread	mm	1944	1944	1944
K Undercarriage overall width	mm	2530	2530	2530

WEIGHT

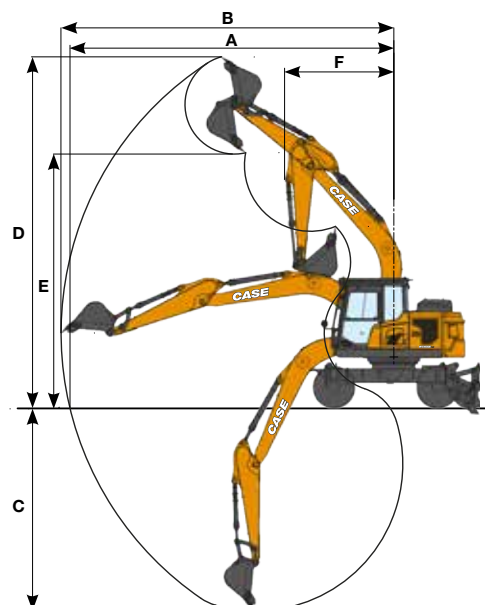
With 2.45 m arm, 0.58 m³ bucket, 10.00×20 twin tires, operator, lubricant, coolant, full fuel tank.

MONO	WEIGHT
Rear blade	16870 kg
Front blade and rear stabilizers	18090 kg

Counterweigh: 3250 kg











PERFORMANCE DATA		Arm 2.45 m	Arm 2.00 m	Arm 2.60 m
Boom length	mm	4600	4600	4600
A Maximum reach at GRP	mm	8150	7710	8300
B Maximum reach	mm	8370	7940	8520
C Max. digging depth	mm	5130	4680	5280
D Max. digging height	mm	8830	8520	8920
E Max. dumping height	mm	6380	6080	6470
F Min. swing radius	mm	2740	2650	2755

DIGGING FORCE (ISO 6015)		Arm 2.45 m	Arm 2.00 m	Arm 2.60 m
Arm digging force	kN	66	78	64
with Auto power up	kN	72	85	69
Bucket digging force	kN	103	103	103
with Auto power up	kN	112	112	112



LIFTING CAPACITY

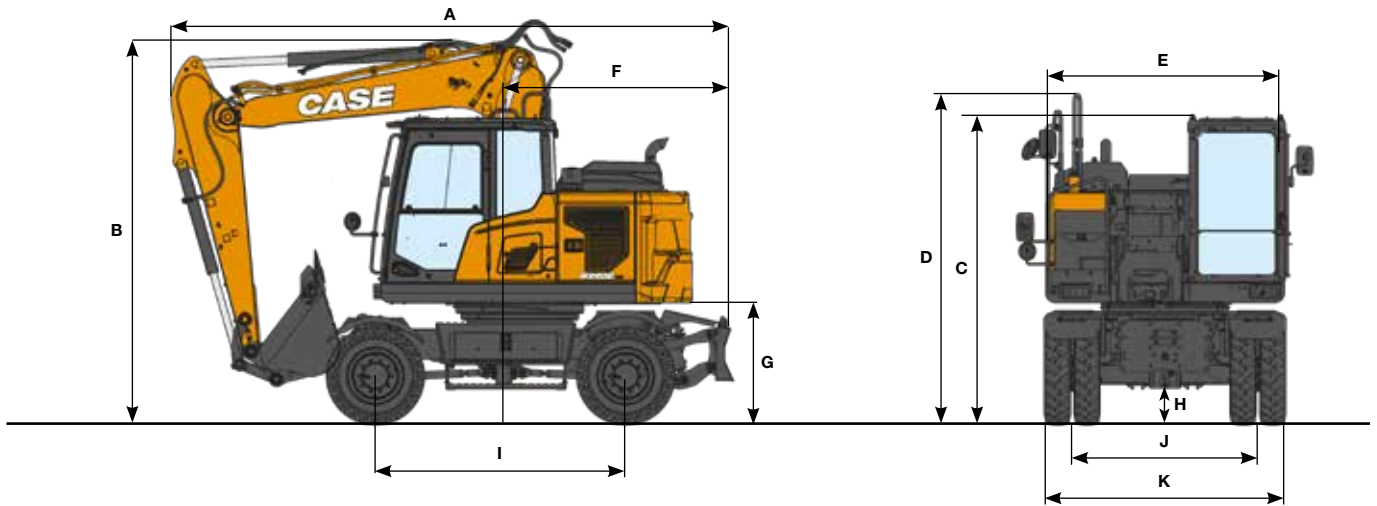
WX155E SR MONO

		REACH										
		1.5 m		3.0 m		4.5 m		6.0 m		At max reach		m
Front	Side											
REAR BLADE DOWN - Mono boom 4.6 m, arm 2.00 m, 3250 kg counterweight												
6.0 m						4420*	4350			3340*	3340*	5.19
4.5 m						4810*	4240	3870*	2710	3120*	2610	6.13
3.0 m						5800*	4020	4190	2640	3150*	2290	6.59
1.5 m						6280	3800	4090	2550	3380*	2190	6.68
0 m				6020*	6020*	6150	3680	4030	2500	3670	2290	6.42
-1.5 m	6310*	6310*		9650*	6750	6150	3680			4310	2670	5.74
-3.0 m				7160*	6940					4610*	3860	4.46
REAR BLADE UP - Mono boom 4.6 m, arm 2.00 m, 3250 kg counterweight												
6.0 m						4420*	3930			3340*	3100	5.19
4.5 m						4810*	3830	3870*	2440	3120*	2350	6.13
3.0 m						5800*	3610	4190	2380	3150*	2050	6.59
1.5 m						6280	3390	4090	2290	3380*	1970	6.68
0 m				6020*	5860	6150	3280	4030	2240	3670	2050	6.42
-1.5 m	6310*	6310*		9650*	5920	6150	3280			4310	2390	5.74
-3.0 m				7160*	6090					4610*	3450	4.46
REAR BLADE DOWN - Mono boom 4.6 m, arm 2.45 m, 3250 kg counterweight												
7.5 m										2900*	2900*	4.19
6.0 m										2400*	2400*	5.74
4.5 m						4340*	4300	3870*	2740	2250*	2250*	6.60
3.0 m				8000*	7500	5370*	4060	4200	2650	2260*	2060	7.03
1.5 m				5100*	5100*	6300	3810	4080	2540	2410*	1980	7.12
0 m				6320*	6320*	6130	3660	4000	2470	2730*	2050	6.87
-1.5 m	5450*	5450*		10200*	6650	6090	3620	3990	2460	3420*	2340	6.24
-3.0 m				8180*	6800	5500*	3700			4460*	3140	5.10
REAR BLADE UP - Mono boom 4.6 m, arm 2.45 m, 3250 kg counterweight												
7.5 m										2900*	2900*	4.19
6.0 m										2400*	2400*	5.74
4.5 m						4340*	3880	3870*	2740	2250*	2100	6.60
3.0 m				8000*	6630	5370*	3640	4200	2380	2260*	1850	7.03
1.5 m				5100*	5100*	6300	3400	4080	2280	2410*	1780	7.12
0 m				6320*	5800	6130	3260	4000	2200	2730*	1840	6.87
-1.5 m	5450*	5450*		10200*	5820	6090	3220	3990	2200	3420*	2090	6.24
-3.0 m				8180*	5960	5500*	3300			4460*	2810	5.10
FRONT BLADE & REAR STABILIZERS DOWN - Mono boom 4.6 m, arm 2.45 m, 3250 kg counterweight												
7.5 m										2900*	2900*	4.19
6.0 m										2400*	2400*	5.74
4.5 m						4340	4340*	3870*	3870*	2250*	2250*	6.60
3.0 m				8000*	8000*	5370*	5370*	4420*	4420*	2260*	2260*	7.03
1.5 m				5100*	5100*	6450*	6450*	4870*	4400	2410*	2410*	7.12
0 m				6320*	6320*	7010*	6630	5120*	4320	2730*	2730*	6.87
-1.5 m	5450*	5450*		10200*	10200*	6820*	6590	4820*	4310	3420*	3420*	6.24
-3.0 m				8180*	8180*	5500*	5500*			4460*	4460*	5.10
FRONT BLADE & REAR STABILIZERS UP - Mono boom 4.6 m, arm 2.45 m, 3250 kg counterweight												
7.5 m										2900*	2900*	4.19
6.0 m										2400*	2400*	5.74
4.5 m						4340*	4340*	3870*	3150	2250*	2250*	6.60
3.0 m				8000*	8000*	5370*	4680	4250	3060	2260*	2260*	7.03
1.5 m				5100*	5100*	6380	4420	4130	2950	2410*	2310	7.12
0 m				6320*	6320*	6210	4270	4050	2870	2730*	2400	6.87
-1.5 m	5450*	5450*		10200	7860	6170	4230	4040	2860	3420*	2730	6.24
-3.0 m				8180*	8010	5500*	4320			4460*	3660	5.10
REAR BLADE DOWN - Mono boom 4.6 m, arm 2.60 m, 3250 kg counterweight												
7.5 m										2670*	2670*	4.43
6.0 m										2230*	2230*	5.92
4.5 m						4190*	4190*	3770*	2750	2100*	2100*	6.76
3.0 m				7640*	7570	5230*	4080	4210	2660	2120*	2000	7.18
1.5 m				5810*	5810*	6310	3820	4080	2540	2250*	1920	7.26
0 m				6390*	6390*	6130	3650	3990	2460	2540*	1990	7.01
-1.5 m	5220*	5220*		10050*	6610	6070	3610	3970	2440	3130*	2250	6.40
-3.0 m	9280*	9280*		8470*	6750	5700*	3670			4400*	2960	5.30
REAR BLADE UP - Mono boom 4.6 m, arm 2.60 m, 3250 kg counterweight												
7.5 m										2670*	2670*	4.43
6.0 m										2230*	2230*	5.92
4.5 m						4190*	3900	3770*	2480	2100*	2030	6.76
3.0 m				7640*	6690	5230*	3660	4210	2390	2120*	1800	7.18
1.5 m				5810*	5810*	6310	3410	4080	2280	2250*	1720	7.26
0 m				6390*	5780	6130	3250	3990	2200	2540*	1780	7.01
-1.5 m	5220*	5220*		10050*	5780	6070	3200	3970	2180	3130*	2010	6.40
-3.0 m	9280*	9280*		8470*	5910	5700*	3270			4400*	2650	5.30

* The above loads (kg) are compliant to the ISO standards and refer to the excavator equipped without bucket. The indicated loads are no more than 87% of hydraulic system lift capacity or 75% of static tipping load. Values marked with an asterisk (*) are limited by the hydraulic lifting capacity.

DIMENSIONS

WX155E SR 2-PIECE BOOM



GENERAL DIMENSIONS		Arm 2.45 m	Arm 2.00 m	Arm 2.60 m
A Overall length (with attachment) (traveling/transportation)	mm	5440 / 7480	5480 / 7470	5420 / 7490
B Overall height (to top of boom) (traveling/transportation)	mm	4000 / 2990	4000 / 2940	4000 / 3040
C Cab height	mm	3230	3230	3230
D Overall height (to top of handrail)	mm	3450	3450	3450
E Upper structure overall width	mm	2510	2510	2510
F Swing (rear end) radius	mm	1800	1800	1800
G Clearance height under upper structure	mm	1265	1265	1265
H Minimum ground clearance	mm	370	370	370
I Wheel base (center to center of wheels)	mm	2600	2600	2600
J Tread	mm	1944	1944	1944
K Undercarriage overall width	mm	2530	2530	2530

WEIGHT

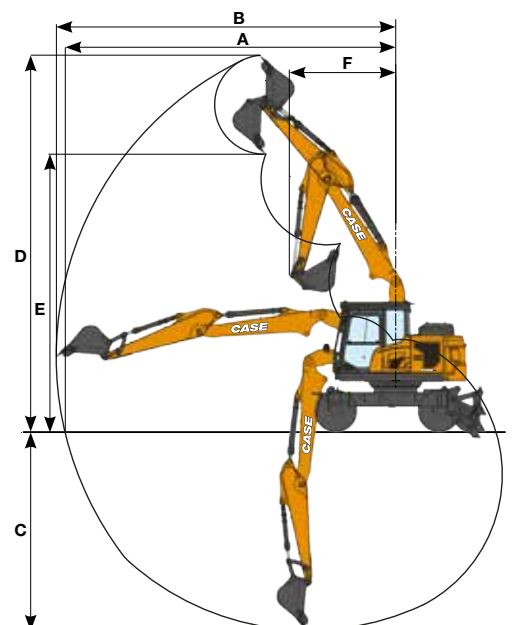
With 2.45 m arm, 0.58 m³ bucket, 10.00×20 twin tires, operator, lubricant, coolant, full fuel tank.

2-PIECE BOOM	WEIGHT
Rear blade	17170 kg
Front blade and rear stabilizers	18390 kg

Counterweight: 3250 kg









PERFORMANCE DATA		Arm 2.45 m	Arm 2.00 m	Arm 2.60 m
Boom length	mm	4748	4748	4748
A Maximum reach at GRP	mm	8340	7890	8490
B Maximum reach	mm	8550	8110	8700
C Max. digging depth	mm	5020	4570	5170
D Max. digging height	mm	9460	9110	9580
E Max. dumping height	mm	6970	6630	7090
F Min. swing radius	mm	2670	2660	2710

DIGGING FORCE (ISO 6015)		Arm 2.45 m	Arm 2.00 m	Arm 2.60 m
Arm digging force	kN	66	78	64
with Auto power up	kN	72	85	69
Bucket digging force	kN	103	103	103
with Auto power up	kN	112	112	112



LIFTING CAPACITY

WX155E SR 2-PIECE BOOM

REACH										
Front Side	3.0 m		4.5 m		6.0 m		At max reach		m	
										
REAR BLADE DOWN - 2-piece boom 4.748 m, arm 2.0 m, 3250 kg counterweight										
7.5 m							4440*	4440*	3.71	
6.0 m			4210*	4210*			3480*	3200	5.41	
4.5 m	5850*	5850*	4650*	4240	4240*	2710	3210*	2470	6.32	
3.0 m			5640*	3990	4190	2630	3180*	2180	6.77	
1.5 m			6270	3760	4080	2530	3350*	2090	6.86	
0 m			6140	3640	4020	2470	3530	2190	6.60	
-1.5 m	9690*	6710	6140	3640			4110	2530	5.94	
REAR BLADE UP - 2-piece boom 4.748 m, arm 2.0 m, 3250 kg counterweight										
7.5 m							4440*	4440*	3.71	
6.0 m			4210*	3940			3480*	2880	5.41	
4.5 m	5850*	5850*	4650*	3820	4240*	2440	3210*	2220	6.32	
3.0 m			5640*	3570	4190	2360	3180*	1950	6.77	
1.5 m			6270	3350	4080	2260	3350*	1870	6.86	
0 m			6140	3240	4020	2210	3530	1950	6.60	
-1.5 m	9690*	5860	6140	3240			4110	2260	5.94	
REAR BLADE DOWN - 2-piece boom 4.748 m, arm 2.45 m, 3250 kg counterweight										
7.5 m							3050*	3050*	4.49	
6.0 m			3710*	3710*			2510*	2510*	5.97	
4.5 m			4210*	4210*	3880*	2730	2330*	2210	6.80	
3.0 m			5230*	4040	4200	2630	2310*	1970	7.21	
1.5 m			6290	3770	4080	2520	2410*	1890	7.30	
0 m	4890*	4890*	6120	3620	3990	2440	2670*	1960	7.05	
-1.5 m	8930*	6600	6080	3590	3980	2430	3210*	2230	6.45	
REAR BLADE UP - 2-piece boom 4.748 m, arm 2.45 m, 3250 kg counterweight										
7.5 m							3050*	3050*	4.49	
6.0 m			3710*	3710*			2510*	2480	5.97	
4.5 m			4210*	3870	3880*	2460	2330*	1980	6.80	
3.0 m			5230*	3620	4200	2360	2310*	1760	7.21	
1.5 m			6290	3360	4080	2250	2410*	1690	7.30	
0 m	4890*	4890*	6120	3210	3990	2180	2670*	1750	7.05	
-1.5 m	8930*	5760	6080	3180	3980	2160	3210*	1980	6.45	
FRONT BLADE & REAR STABILIZERS DOWN - 2-piece boom 4.748 m, arm 2.45 m, 3250 kg counterweight										
7.5 m							3050*	3050*	4.49	
6.0 m			3710*	3710*			2510*	2510*	5.97	
4.5 m			4210*	4210*	3880*	3880*	2330*	2330*	6.80	
3.0 m			5230*	5230*	4270*	4270*	2310*	2310*	7.21	
1.5 m			6300*	6300*	4740*	4400	2410*	2410*	7.30	
0 m	4890*	4890*	6890*	6620	5040*	4310	2670*	2670*	7.05	
-1.5 m	8930*	8930*	6800*	6580	4870*	4300	3210*	3210*	6.45	
FRONT BLADE & REAR STABILIZERS UP - 2-piece boom 4.748 m, arm 2.45 m, 3250 kg counterweight										
7.5 m							3050*	3050*	4.49	
6.0 m			3710*	3710*			2510*	2510*	5.97	
4.5 m			4210*	4210*	3880*	3150	2330*	2330*	6.80	
3.0 m			5230*	4660	4260	3050	2310*	2290	7.21	
1.5 m			6300*	4390	4130	2930	2410*	2210	7.30	
0 m	4890*	4890*	6200	4230	4040	2850	2670*	2290	7.05	
-1.5 m	8930*	7810	6160	4200	4030	2840	3210*	2600	6.45	
REAR BLADE DOWN - 2-piece boom 4.748 m, arm 2.60 m, 3250 kg counterweight										
7.5 m			3420*	3420*			2810*	2810*	4.73	
6.0 m			3560*	3560*	2880*	2760	2330*	2330*	6.15	
4.5 m			4060*	4060*	3780*	2750	2170*	2130	6.95	
3.0 m	7590*	7510	5090*	4060	4180*	2640	2160*	1910	7.36	
1.5 m			6200*	3780	4080	2520	2250*	1840	7.44	
0 m	4980*	4980*	6110	3610	3990	2430	2480*	1900	7.20	
-1.5 m	8600*	6560	6060	3570	3960	2420	2960*	2140	6.61	
-3.0 m			5860*	3640						
REAR BLADE UP - 2-piece boom 4.748 m, arm 2.60 m, 3250 kg counterweight										
7.5 m			3420*	3420*			2810*	2810*	4.73	
6.0 m			3560*	3560*	2880*	2490	2330*	2330*	6.15	
4.5 m			4060*	3900	3780*	2470	2170*	1910	6.95	
3.0 m	7590*	6620	5090*	3640	4180*	2370	2160*	1710	7.36	
1.5 m			6200*	3370	4080	2250	2250*	1640	7.44	
0 m	4980*	4980*	6110	3200	3990	2170	2480*	1690	7.20	
-1.5 m	8600*	5720	6060	3160	3960	2150	2960*	1910	6.61	
-3.0 m			5860*	3230						

* The above loads (kg) are compliant to the ISO standards and refer to the excavator equipped without bucket. The indicated loads are no more than 87% of hydraulic system lift capacity or 75% of static tipping load. Values marked with an asterisk (*) are limited by the hydraulic lifting capacity.

SPECIFICATIONS

WX175E SR

ENGINE

Model _____ Cummins B4.5
Type _____ Water-cooled, 4-cycle diesel, 4-cylinder in line,
High pressure common rail system (electric control),
turbocharger with air cooled intercooler, DOC+DPF+SCR,
EGR free.

Emissions _____ Stage V
Number of cylinders / Displacement (l) _____ 4 / 4.5
Bore and stroke (mm) _____ 107 x 124

Rated flywheel horse power

ISO 9249 (kW) _____ 127 at 2200 min⁻¹ (rpm)

ISO 14396 (kW) _____ 129 at 2200 min⁻¹ (rpm)

Maximum torque

ISO 14396 (Nm) _____ 780 at 1500 min⁻¹ (rpm)

HYDRAULIC SYSTEM

Main pump _____ Variable displacement piston pump
Max. oil flow (l/min) _____ 260 at 1800 min⁻¹

Working circuit pressure

Boom/Arm/Bucket (MPa) _____ 34.3 - 37.3 with auto power boost

Swing circuit (MPa) _____ 26.5

Travel circuit (MPa) _____ 37.3

Pilot circuit (MPa) _____ 3.4

Boom cylinders

Bore (mm) _____ 110

Stroke (mm) _____ 992

Boom positioning (2 piece boom only)

Bore (mm) _____ 160

Stroke (mm) _____ 624

Arm cylinder

Bore (mm) _____ 120

Stroke (mm) _____ 1235

Bucket cylinder

Bore (mm) _____ 105

Stroke (mm) _____ 995

SWING

Swing motor _____ Fixed displacement radial piston motor

Maximum swing speed (min⁻¹) _____ 9.5

Swing torque (Nm) _____ 39,100

Brake system _____ Automatic, spring applied
hydraulic released

ELECTRICAL SYSTEM

Voltage (V) _____ 24

Alternator (Amp) _____ 95

Starter (V - kW) _____ 24 - 4.8

Battery _____ 2 X 12 V 100 Ah

STEERING

Type _____ Orbitrol steering system

Minimum turning radius (m) _____ 6.3

AXLES

Type _____ 4 wheel drive with differential, oscillating front axle
with automatic or operator controlled oscillation lock,
fixed rear axle

Brake type _____ Wet multi-disc

Parking brake type _____ Wet multi-disc integrated
in transmission

UNDERCARRIAGE

Transmission _____ 2 speed hydrostatic powershift

Travel motor _____ Variable displacement bent-axis axial
piston motor

High travel speed (Automatic travel speed shifting) (km/h) _____ 35

Low travel speed (km/h) _____ 10

Creep speed (km/h) _____ 3

Drawbar pull (kN) _____ 91

Gradeability _____ 70% (35°)

NOISE

External guaranteed sound level

(EU Directive 2000/14/EC) _____ LwA 100 dB(A)

Operator cab sound pressure level (ISO 6396) _____ LpA 71 dB(A)

CIRCUIT AND COMPONENT CAPACITIES

Fuel tank (l) _____ 200

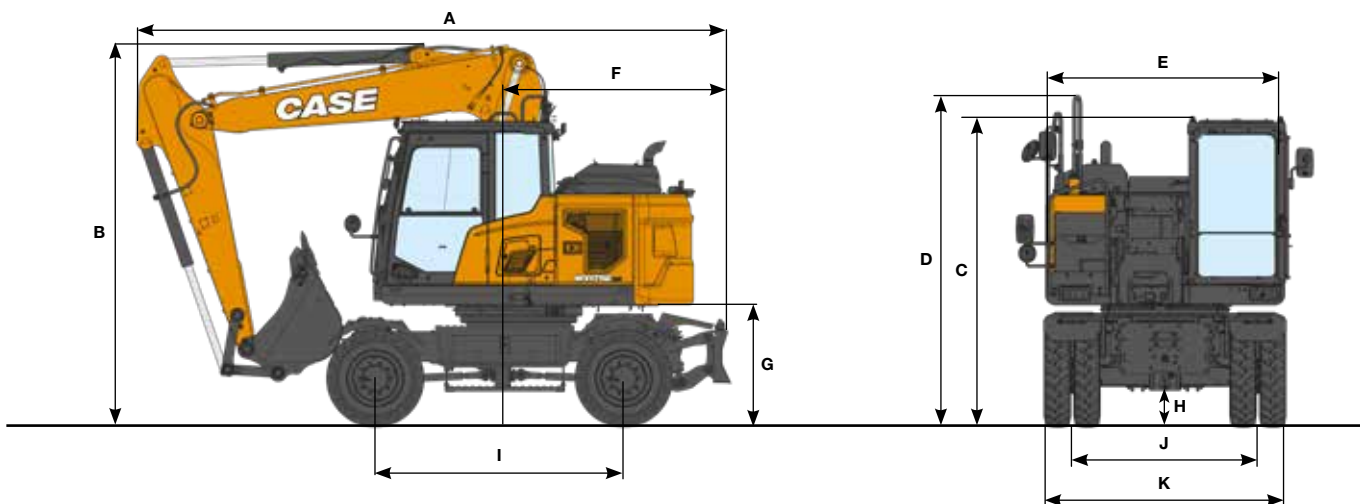
Hydraulic system (l) _____ 187

Hydraulic tank (l) _____ 103

AdBlue tank (l) _____ 48

DIMENSIONS

WX175E SR 2-PIECE BOOM



GENERAL DIMENSIONS		Arm 2.45 m	Arm 2.00 m	Arm 2.60 m
A Overall length (with attachment) (traveling/transportation)	mm	6310 / 7860	6340 / 7900	6250 / 7820
B Overall height (to top of boom) (traveling/transportation)	mm	3940 / 2900	3940 / 2940	3960 / 3150
C Cab height	mm	3220	3220	3220
D Overall height (to top of handrail)	mm	3275	3275	3275
E Upper structure overall width	mm	2500	2500	2500
F Swing (rear end) radius	mm	1830	1830	1830
G Clearance height under upper structure	mm	1265	1265	1265
H Minimum ground clearance	mm	370	370	370
I Wheel base (center to center of wheels)	mm	2600	2600	2600
J Tread	mm	1944 / 2114	1944 / 2114	1944 / 2114
K Undercarriage overall width	mm	2530	2530	2530

WEIGHT

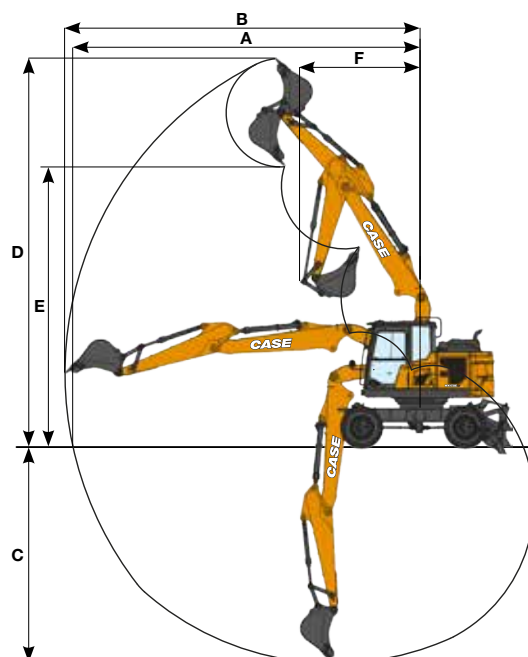
With 2.45 m arm, 0.70 m³ bucket, 10.00×20 twin tires, operator, lubricant, coolant, full fuel tank.

2-PIECE BOOM	WEIGHT
Rear blade	18820 kg
Front blade and rear stabilizers	20040 kg

Counterweight: 4200 kg

PERFORMANCE DATA		Arm 2.45 m	Arm 2.00 m	Arm 2.60 m
Boom length	mm	5097	5097	5097
A Maximum reach at GRP	mm	8750	8280	8820
B Maximum reach	mm	8950	8490	9020
C Max. digging depth	mm	5440	4980	5565
D Max. digging height	mm	9785	9370	9680
E Max. dumping height	mm	7060	6660	6980
F Min. swing radius	mm	3040	3380	3500

DIGGING FORCE (ISO 6015)		Arm 2.45 m	Arm 2.00 m	Arm 2.60 m
Arm digging force	kN	70	89	70
with Auto power up	kN	77	98	76
Bucket digging force	kN	115	115	115
with Auto power up	kN	125	125	126



LIFTING CAPACITY

WX175E SR 2-PIECE BOOM

Front Side		REACH										m
		3.0 m		4.5 m		6.0 m		7.5 m		At max reach		
REAR BLADE DOWN - 2-piece boom 5.097 m, arm 2.0 m, 4200 kg counterweight												
7.5 m										4790*	4790*	4.19
6.0 m			4310*	4310*						4390*	3240	5.75
4.5 m			4930*	4680	4350*	3000				4000	2550	6.60
3.0 m			6070*	4350	4560	2880				3570	2250	7.03
1.5 m			6770	4070	4430	2750				3450	2160	7.12
0 m			6630	3940	4340	2680				3600	2240	6.87
-1.5 m	10340*	7320	6630	3950	4360	2690				4140	2570	6.24
REAR BLADE UP - 2-piece boom 5.097 m, arm 2.0 m, 4200 kg counterweight												
7.5 m										4790*	4790*	4.19
6.0 m			4310*	4310*						4390*	2920	5.75
4.5 m			4930*	4220	4350*	2700				4000	2290	6.60
3.0 m			6070*	3900	4560	2590				3570	2020	7.03
1.5 m			6770	3620	4430	2460				3450	1930	7.12
0 m			6630	3500	4340	2390				3600	2000	6.87
-1.5 m	10340*	6400	6630	3510	4360	2400				4140	2290	6.24
REAR BLADE DOWN - 2-piece boom 5.097 m, arm 2.45 m, 4200 kg counterweight												
7.5 m			4040*	4040*						3280*	3280*	4.95
6.0 m			3820*	3820*	3900*	3070				2780*	2780*	6.31
4.5 m			4470*	4470*	4010*	3020				2600*	2260	7.10
3.0 m			5630*	4410	4480*	2880	2610*	2020		2590*	2020	7.50
1.5 m			6770*	4080	4420	2740	3180	1980		2700*	1940	7.58
0 m			6600	3910	4310	2640				2980*	2010	7.35
-1.5 m	9110*	7170	6560	3880	4280	2620				3530*	2250	6.77
-3.0 m			6380*	3970								
REAR BLADE DOWN (WIDE AXLES) - 2-piece boom 5.097 m, arm 2.45 m, 4200 kg counterweight												
7.5 m			4040*	4040*						3280*	3280*	4.95
6.0 m			3820*	3820*	3900*	3450				2780*	2780*	6.31
4.5 m			4470*	4470*	4010*	3400				2600*	2560	7.10
3.0 m			5630*	5000	4480*	3260	2610*	2290		2590*	2290	7.50
1.5 m			*6770*	4670	4440	3110	3190	2250		2700*	2210	7.58
0 m			6630	4490	4330	3010				2980*	2290	7.35
-1.5 m	9110*	8420	6590	4460	4300	2990				3530*	2570	6.77
-3.0 m			6380*	4550								
REAR BLADE UP - 2-piece boom 5.097 m, arm 2.45 m, 4200 kg counterweight												
7.5 m			4040*	4040*						3280*	3280*	4.95
6.0 m			3820*	3820*	3900*	2770				2780*	2510	6.31
4.5 m			4470*	4290	4010*	2730				2600*	2030	7.10
3.0 m			5630*	3950	4480*	2590	2610*	1810		2590*	1810	7.50
1.5 m			6770*	3640	4420	2450	3180	1760		2700*	1730	7.58
0 m			6600	3470	4310	2350				2980*	1790	7.35
-1.5 m	9110*	6260	6560	3430	4280	2330				3530*	2010	6.77
-3.0 m			6380*	3520								
REAR BLADE UP (WIDE AXLES) - 2-piece boom 5.097 m, arm 2.45 m, 4200 kg counterweight												
7.5 m			4040*	4040*						3280*	3280*	4.95
6.0 m			3820*	3820*	3900*	3060				2780*	2780*	6.31
4.5 m			4470*	4470*	4010*	3010				2600*	2250	7.10
3.0 m			5630*	4390	4480*	2880	2610*	2020		2590*	2020	7.50
1.5 m			6770*	4070	4440	2730	3190	1970		2700*	1940	7.58
0 m			6630	3900	4330	2630				2980*	2000	7.35
-1.5 m	9110*	7140	6590	3870	4300	2610				3530*	2250	6.77
-3.0 m			6380*	3960								

* The above loads (kg) are compliant to the ISO standards and refer to the excavator equipped without bucket. The indicated loads are no more than 87% of hydraulic system lift capacity or 75% of static tipping load. Values marked with an asterisk (*) are limited by the hydraulic lifting capacity.

LIFTING CAPACITY

WX175E SR 2-PIECE BOOM

Front Side	REACH										m
	3.0 m		4.5 m		6.0 m		7.5 m		At max reach		
FRONT BLADE & REAR STABILIZERS DOWN - 2-piece boom 5.097 m, arm 2.45 m, 4200 kg counterweight											
7.5 m			4040*	4040*					3280*	3280*	4.95
6.0 m			3820*	3820*	3900*	3900*			2780*	2780*	6.31
4.5 m			4470*	4470*	4010*	4010*			2600*	2600*	7.10
3.0 m			5630*	5630*	4480*	4480*	2610*	2610*	2590*	2590*	7.50
1.5 m			6770*	6770*	5020*	4740	3510*	3420	2700*	2700*	7.58
0 m			7380*	7110	5370*	4630			2980*	2980*	7.35
-1.5 m	9110*	9110*	7310*	7070	5300*	4610			3530*	3530*	6.77
-3.0 m			6380*	6380*							
FRONT BLADE & REAR STABILIZERS UP - 2-piece boom 5.097 m, arm 2.45 m, 4200 kg counterweight											
7.5 m			4040*	4040*					3280*	3280*	4.95
6.0 m			3820*	3820*	3900*	3500			2780*	2780*	6.31
4.5 m			4470*	4470*	4010*	3450			2600*	2600	7.10
3.0 m			5630*	5060	4480*	3310	2610*	2340	2590*	2340	7.50
1.5 m			6770*	4730	4470	3170	3220	2290	2700*	2260	7.58
0 m			6670	4550	4360	3070			2980*	2330	7.35
-1.5 m	9110*	8440	6640	4520	4340	3040			3530*	2620	6.77
-3.0 m			6380*	4610							
REAR BLADE DOWN - 2-piece boom 5.097 m, arm 2.60 m, 4200 kg counterweight											
7.5 m			3810*	3810*					3480*	3480*	5.15
6.0 m			3660*	3660*	3740*	3090			2990*	2680	6.47
4.5 m			4310*	4310*	3900*	3030			2830*	2190	7.24
3.0 m			5480*	4430	4390*	2890	3230	2020	2820*	1960	7.63
1.5 m			6660*	4090	4420	2740	3170	1970	2950*	1890	7.71
0 m			6590	3900	4300	2630			3150	1940	7.48
-1.5 m	8880*	7130	6540	3850	4270	2600			3520	2170	6.91
-3.0 m			6510*	3930							
REAR BLADE UP - 2-piece boom 5.097 m, arm 2.60 m, 4200 kg counterweight											
7.5 m			3810*	3810*					3480*	3480*	5.15
6.0 m			3660*	3660*	3740*	2790			2990*	2420	6.47
4.5 m			4310*	4310*	3900*	2740			2830*	1970	7.24
3.0 m			5480*	3970	4390*	2600	3230	1810	2820*	1750	7.63
1.5 m			6660*	3640	4420	2450	3170	1760	2950*	1680	7.71
0 m			6590	3460	4300	2340			3150	1730	7.48
-1.5 m	8880*	6210	6540	3410	4270	2310			3520	1930	6.91
-3.0 m			6510*	3490							

* The above loads (kg) are compliant to the ISO standards and refer to the excavator equipped without bucket. The indicated loads are no more than 87% of hydraulic system lift capacity or 75% of static tipping load. Values marked with an asterisk (*) are limited by the hydraulic lifting capacity.

CNH Industrial
Deutschland GmbH
Case Baumaschinen
Benzstr. 1-3 - D-74076 Heilbronn
DEUTSCHLAND

CNH Industrial France, S.A.
16-18 Rue des Rochettes
91150 Morigny-Champigny
FRANCE

CASE Construction Equipment
Cranes Farm Rd
Basildon - SS14 3AD
UNITED KINGDOM

CNH Industrial
Maquinaria Spain, S.A.
Avenida Aragón 402
28022 Madrid - ESPAÑA

CNH Industrial Italia Spa
Lungo Stura Lazio 19
10156, Torino
ITALIA

NOTE: Standard and optional fittings can vary according to the demands and specific regulations of each country. The illustrations may include optional rather than standard fittings - consult your Case dealer. Furthermore, CNH Industrial reserves the right to modify machine specifications without incurring any obligation relating to such changes.

Conforms to directive 2006/42/EC

CASECE.COM
00800-2273-7373

The call is free from a land line.
Check in advance with your Mobile Operator if you will be charged. Toll free number not available from all calling areas.