

MHT 10120/10180/10225


TECHNICAL DATA SHEET



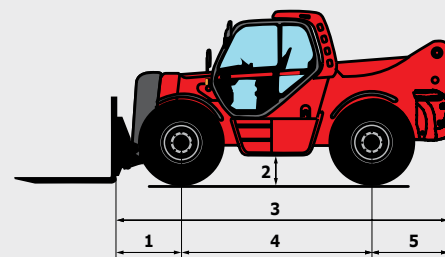
 **MANITOU**

www.manitou.com

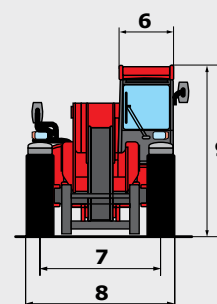
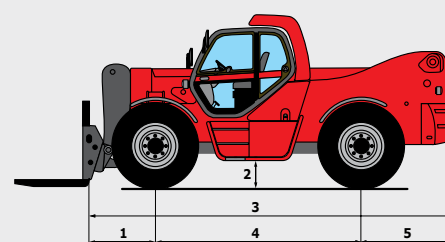
MHT 10120/10180/10225

	MHT 10120	MHT 10180	MHT 10225
Lifting			
Max. capacity at 600 mm LC	12000 kg	18000 kg	
Max. capacity at 900 mm LC			22500 kg
Max. capacity at 1200 mm LC	8000 kg	14000 kg	18500 kg
Max. lifting height	9.62 m	9.70 m	
Unladen time			
Lifting	13.0 s	25.0 s	32.0 s
Lowering	9.0 s	17.0 s	18.5 s
Extension	14.5 s	14.0 s	14.0
Retraction	9 s	11.0 s	11.0 s
Tyres	17.5 - 25	445/95 R25 XLB	18 R25 XZM2
Braking			
Service brake	multiple-disk brake with oil bath on front and rear axles		
Parking brake	automatic negative handbrake		
Engine			
	MERCEDES - STAGE 3A		
Type	OM 904		
Cubic capacity	4250 cm ³		
Power	175 HP / 129 kW		
Max. torque	675 Nm - 1200 rpm		
Injection	direct		
Cooling	water		
Laden drawbar pull	11300 daN	15500 daN	17400 daN
Gradeability (unladen/laden)	85% / 37%	68% / 33%	72% / 34%
Transmission			
	hydrostatic with automatic power regulation		
	4 wheel drive		
Reversing shift	electro magnetic		
Number of gears (forward/reverse)	2/2		
Max. travel speed (may vary according to applicable regulations)	25 kph		
Axle	DANA	OMCI	
Steering mode	4 wheel steer 3 steering modes 		
Controls			
	JSM® Joystick multi-fonction load limiter cut off system - EN15000 norm		
Hydraulics			
Load Sensing Pump	165 l/min - 350 bar	170 l/min - 350 bar	
Capacities			
Hydraulic oil	290 l		
Fuel	200 l		
Unladen weight (with forks)	17000 kg	24080 kg	29800 kg
Dimensions			
1. Front wheel centre to carriage	1.22 m	1.33 m	1.35 m
2. Ground clearance	0.44 m		0.47 m
3. Overall length to front tyres	5.95 m	6.60 m	6.86 m
4. Wheelbase	3.30 m	3.65 m	3.65 m
5. Rear wheel centre to rear face	1.42 m	1.62 m	1.86 m
6. Overall width of cab	0.90 m		
7. Inside tyre width	1.96 m	2.07 m	
8. Overall width	2.50 m		2.66 m
9. Overall height	2.90 m	2.93 m	2.96 m
Standard forks (length x width x thickness)	1800 x 200 x 70 mm	1500 x 200 x 80 mm	1800 x 250 x 100 mm
Turning radius (over tyres)	4.53 m	5.68 m	6.05 m
Frame levelling	+/- 10°		+/- 5°
Carriage rotation (crowd/dump)	20°/115°	12°/105°	
Noise and vibration			
Noise at driving position (LpA)	79.2 dB		
Environmental noise (LwA)	108 dB		
Vibration to whole hand/arm	<2.5 m/s ²		
Vibration on driver's body	<0.5 m/s ²		

MHT 10120



MHT 10180 - MHT 10225

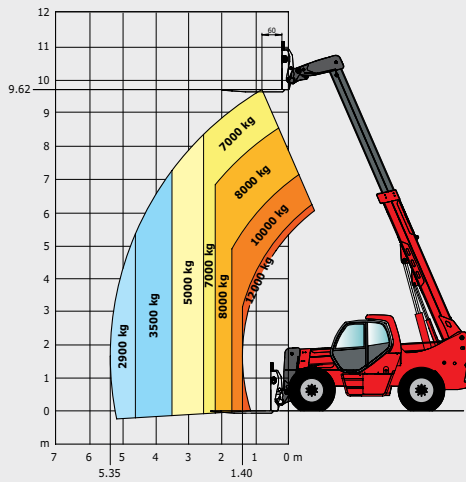


MHT 10120/10180/10225

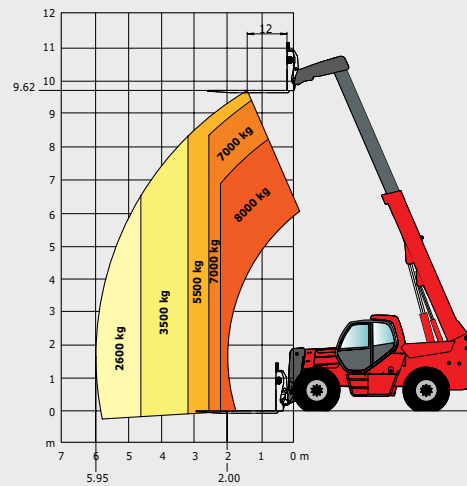
Rough terrain load chart

Standard EN1459 B

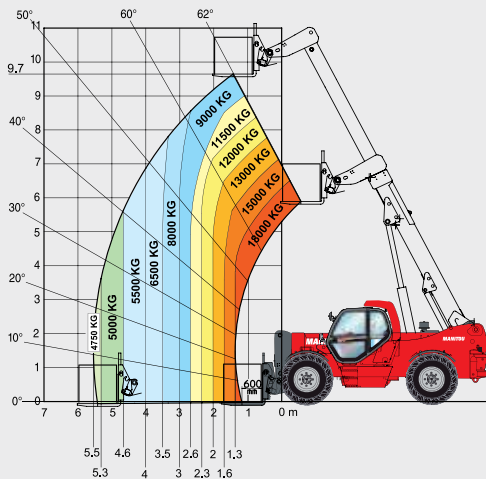
MHT 10120 load chart
CDG 600 mm



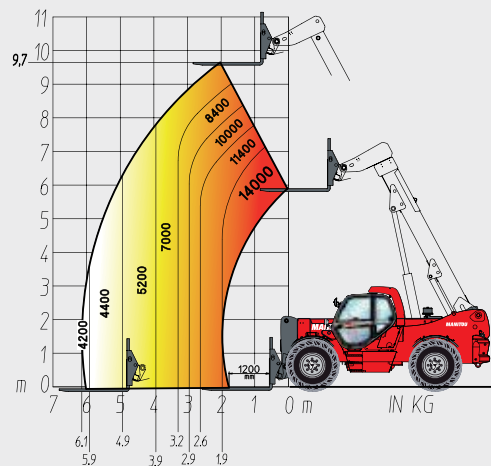
MHT 10120 load chart
CDG 1200 mm



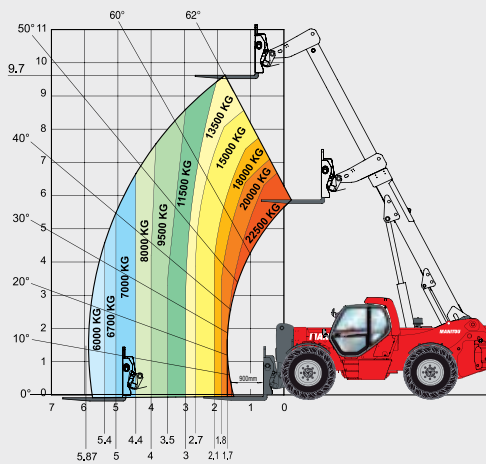
MHT 10180 load chart
CDG 600 mm



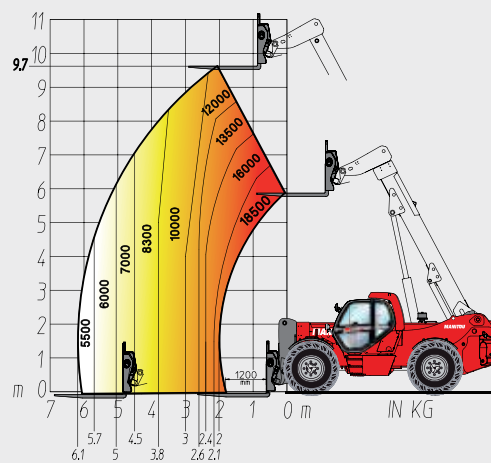
MHT 10180 load chart
CDG 1200 mm



MHT 10225 load chart
CDG 900 mm



MHT 10225 load chart
CDG 1200 mm



This brochure describes versions and configuration options for MANITOU products which may be fitted with different equipment. The equipment described in this brochure may be standard, optional or not available depending on version. MANITOU reserves the right to change the specifications shown and described at any time and without prior warning. The manufacturer is not liable for the specifications given. For more information, contact your MANITOU dealer. Non-contractual document. Product descriptions may differ from actual products. List of specifications is not comprehensive. The logos and visual identity of the company are the property of MANITOU and may not be used without authorisation. All rights reserved. The photos and diagrams contained in this brochure are provided for information only.

MANITOU BF SA - Limited company with board of directors - Share capital: 39,547,824 euros - 857 802 508 RCS Nantes



Your nearest dealer **MANITOU**:



Head office:
B.P. 249 - 430 rue de l'Aubinière - 44158 Ancenis Cedex - France
Tel.: 00 33 (0)2 40 09 10 11 - Fax: 00 33 (0)2 40 09 10 97
www.manitou.com